

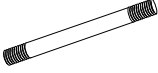
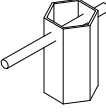
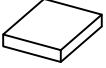


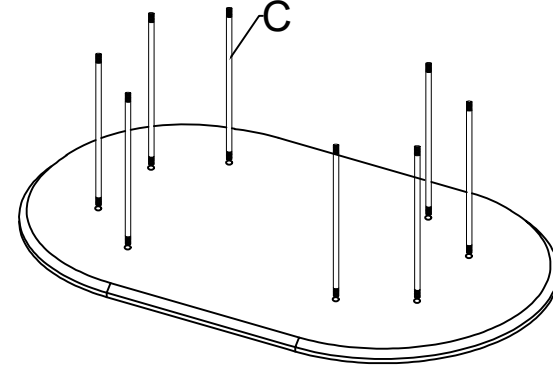
# ASSEMBLY INSTRUCTION 3115

1

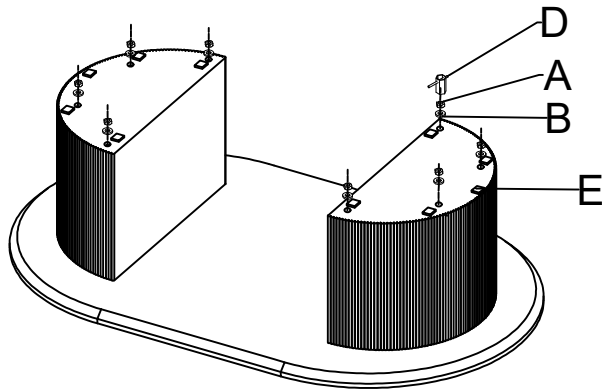
## LIST OF ACCESSORIES

A		B		C		D		
M8	x8	M8*18	x8	8x365mm	x8	x1		
E								
40*40*2	x10							

2



3



4

