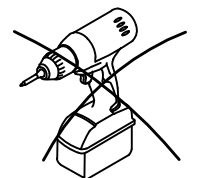
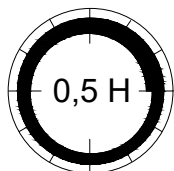
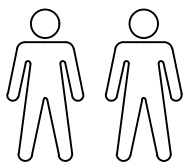
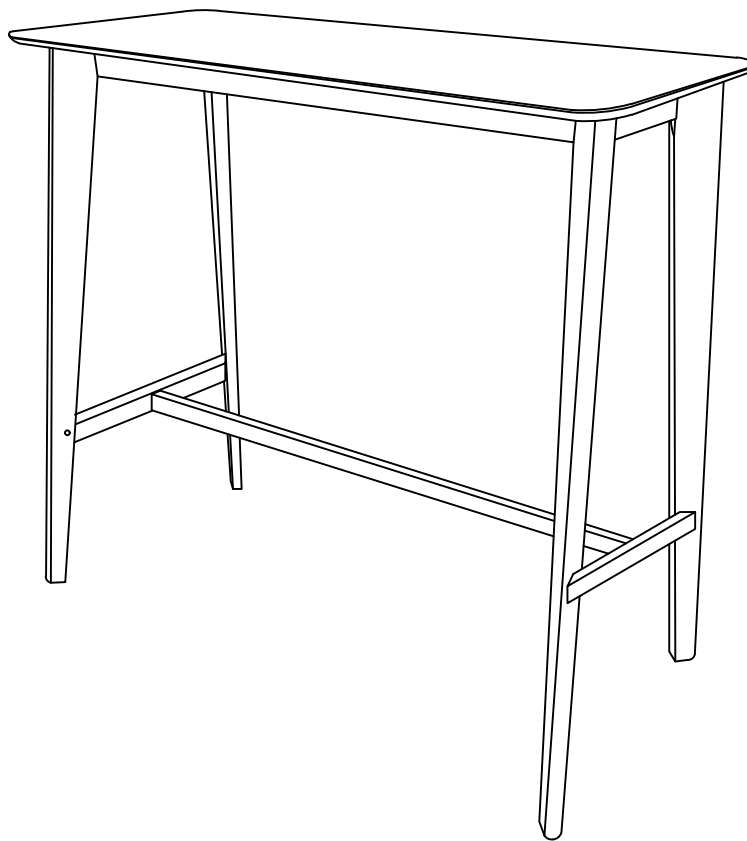
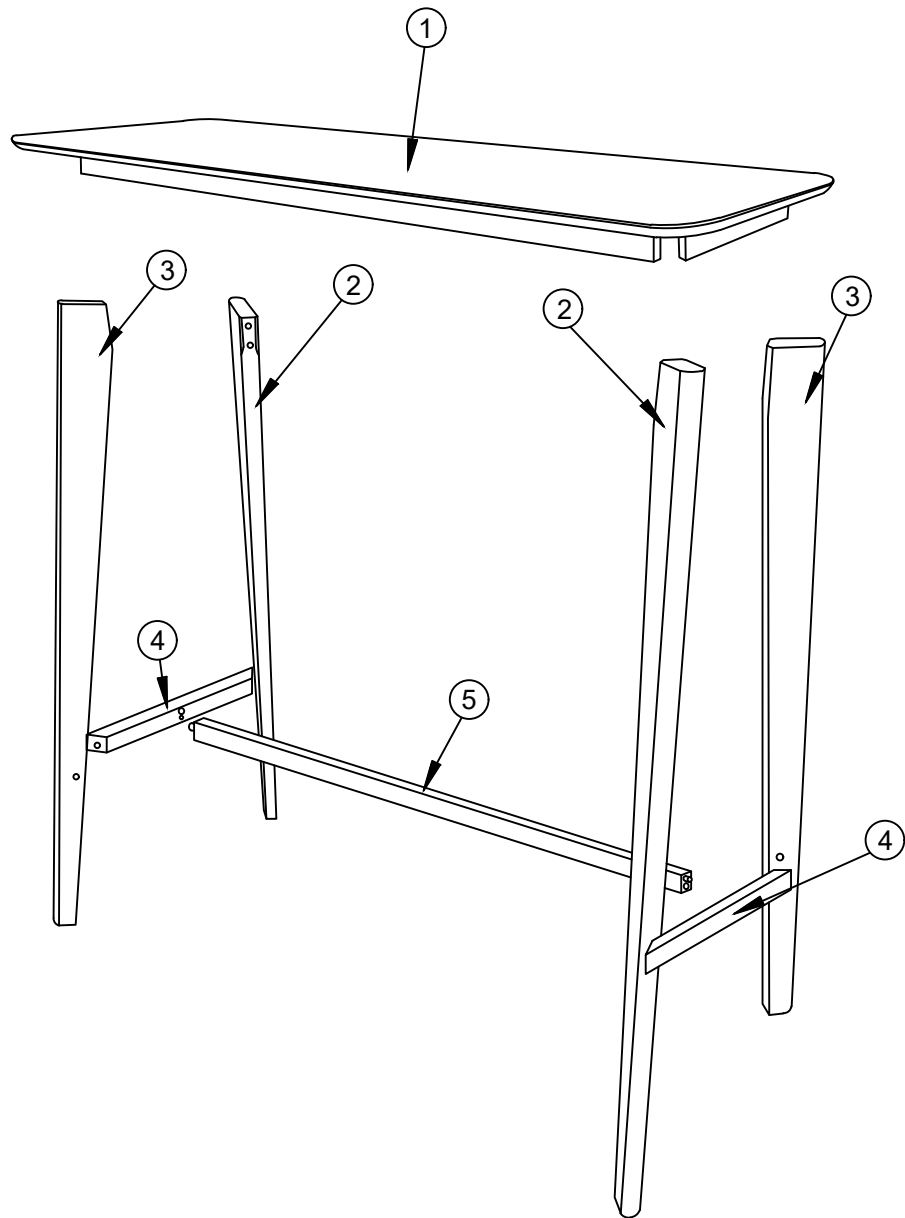
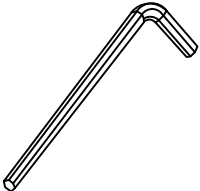

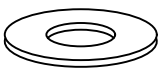


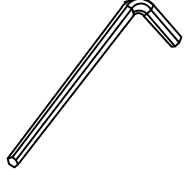



ROXBBY







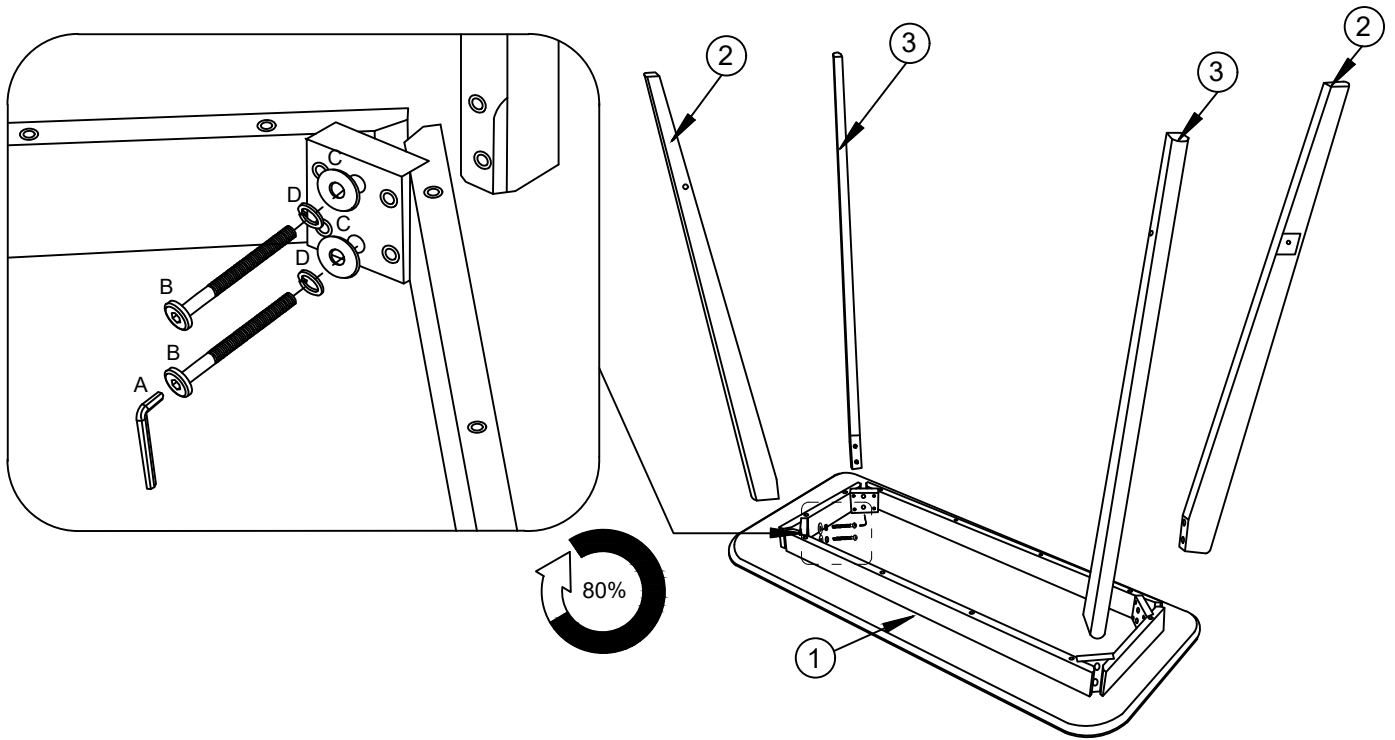
			✓
①	1	1200x600x83	
②	2	1042x80x28	
③	2	1042x80x28	
④	2	500x40x22	
⑤	1	1095x38x22	





<p>A x 1</p>  <p>5 mm</p>	<p>B x 8</p>  <p>M8x70 mm</p>	<p>C x 8</p>  <p>Ø8/Ø22mm</p>	<p>D x 8</p>  <p>Ø8/Ø13 mm</p>	<p>E x 4</p>  <p>3x23x30 mm</p>
<p>F x 1</p>  <p>4 mm</p>	<p>G x 6</p>  <p>M6x35 mm</p>			

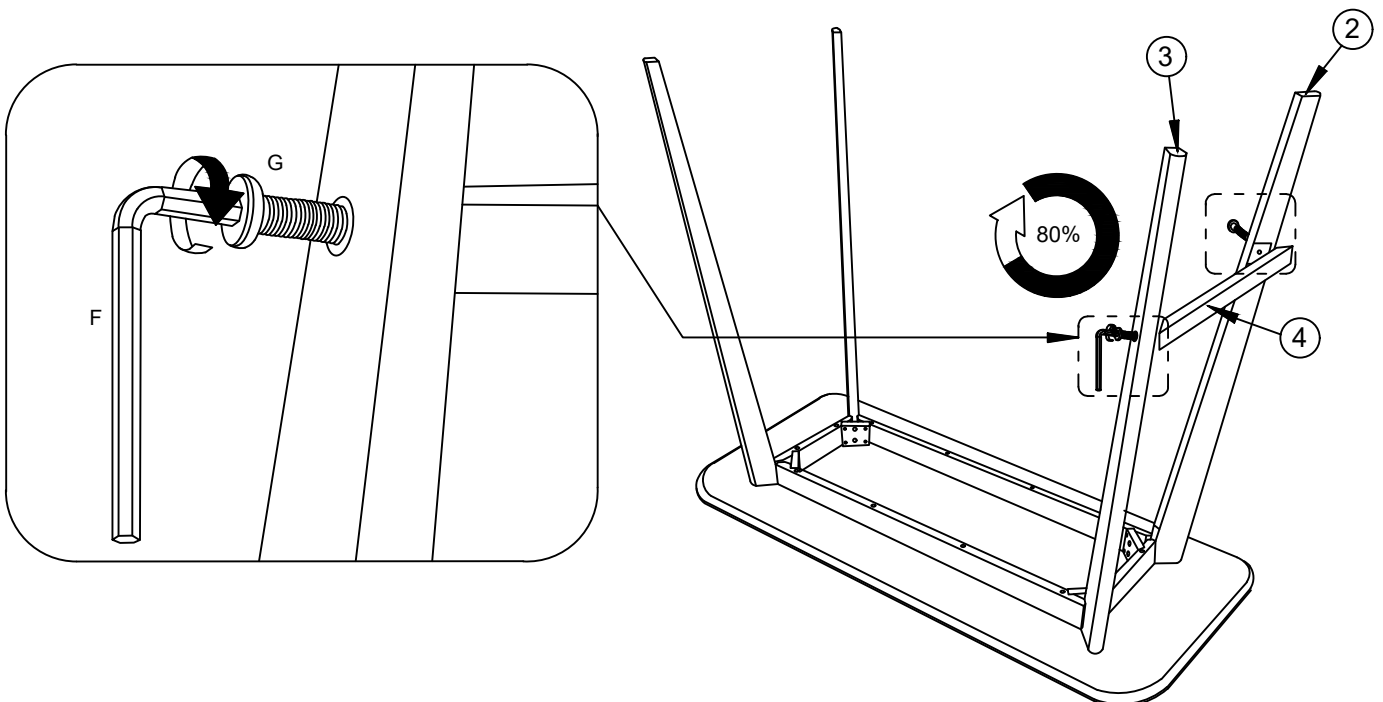
1

A x 1  5 mm	B x 8  M8x70 mm	C x 8  Ø8/Ø22 mm	D x 8  Ø8/Ø13 mm
--	--	---	---

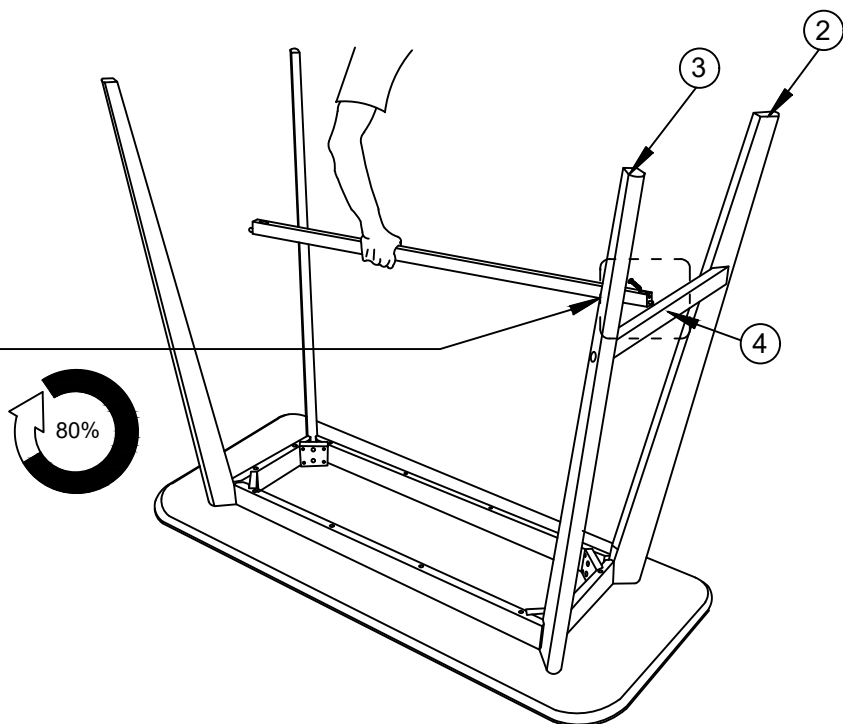
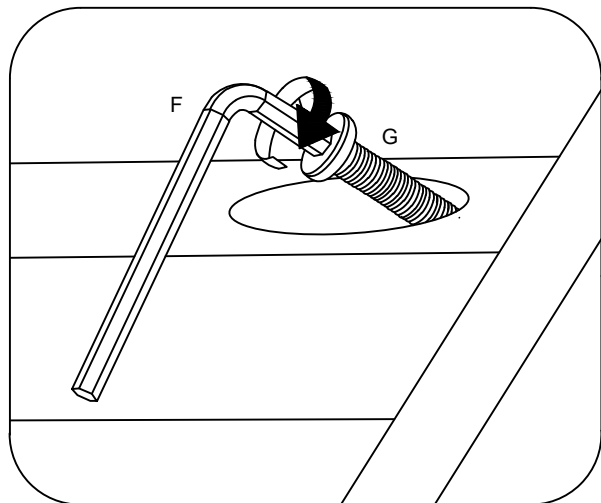
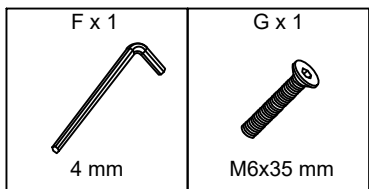


2

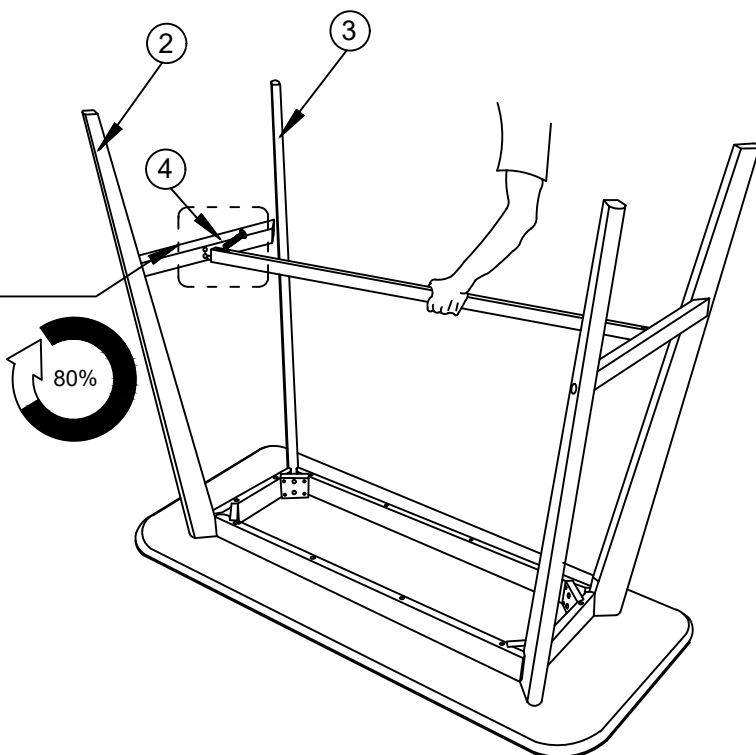
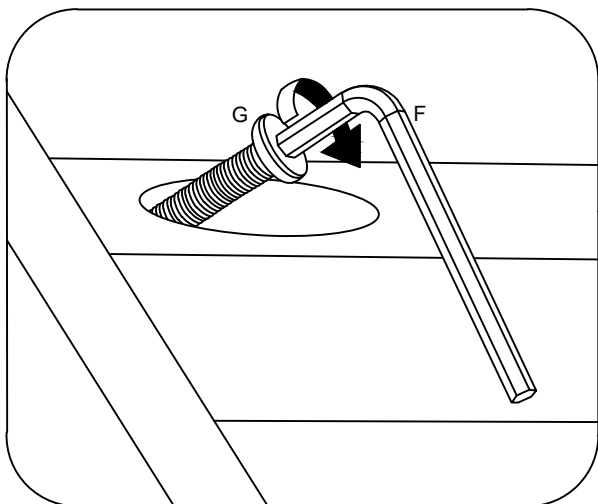
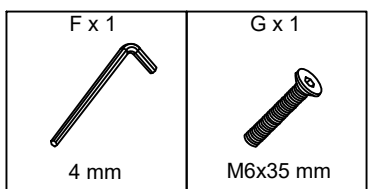
F x 1  4 mm	G x 2  M6x35 mm
--	--





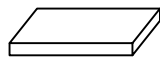
3

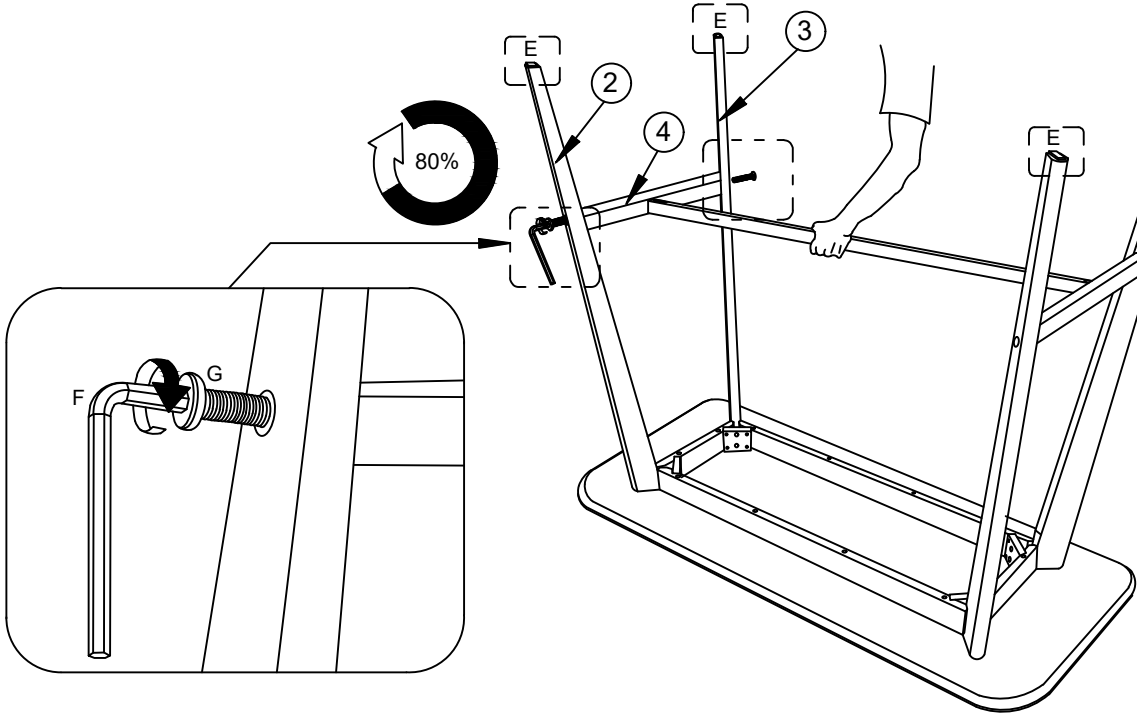
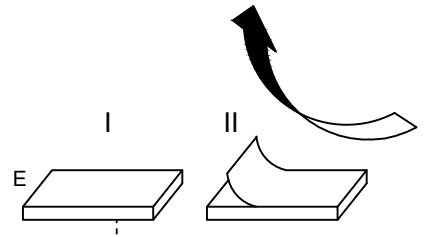


4





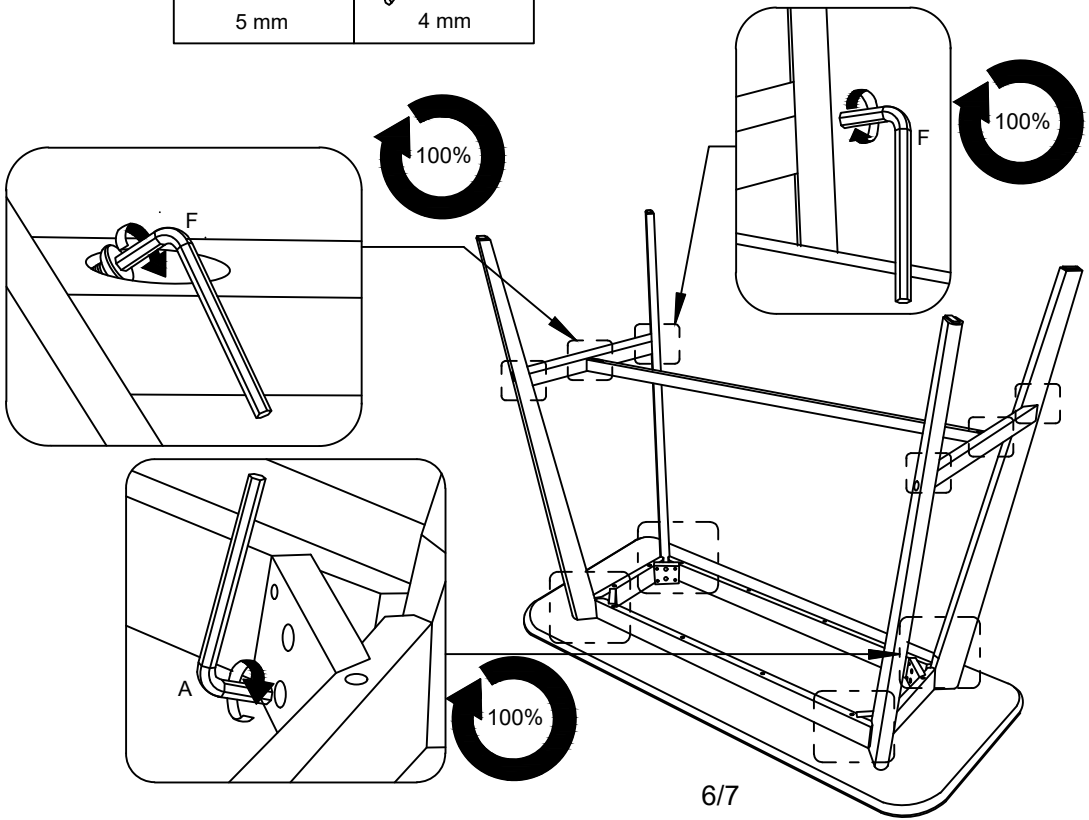
5

F x 1  4 mm	G x 2  M6x35 mm	E x 4  3x23x30 mm
--	--	--



6

A x 1  5 mm	F x 1  4 mm
--	--



7

