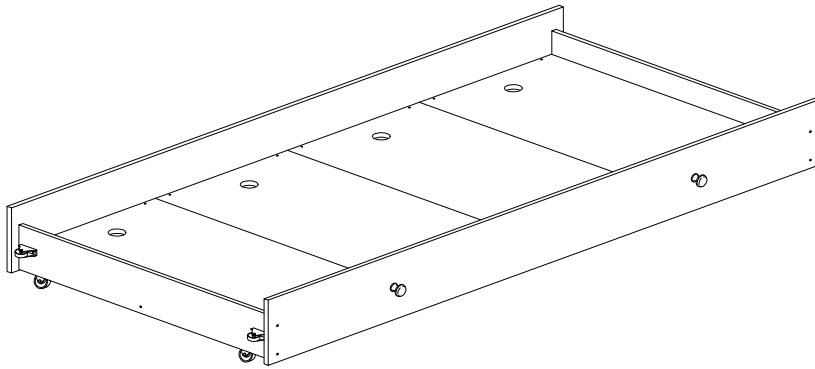


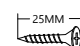

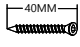
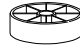

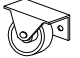


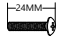



ASSEMBLY INSTRUCTION

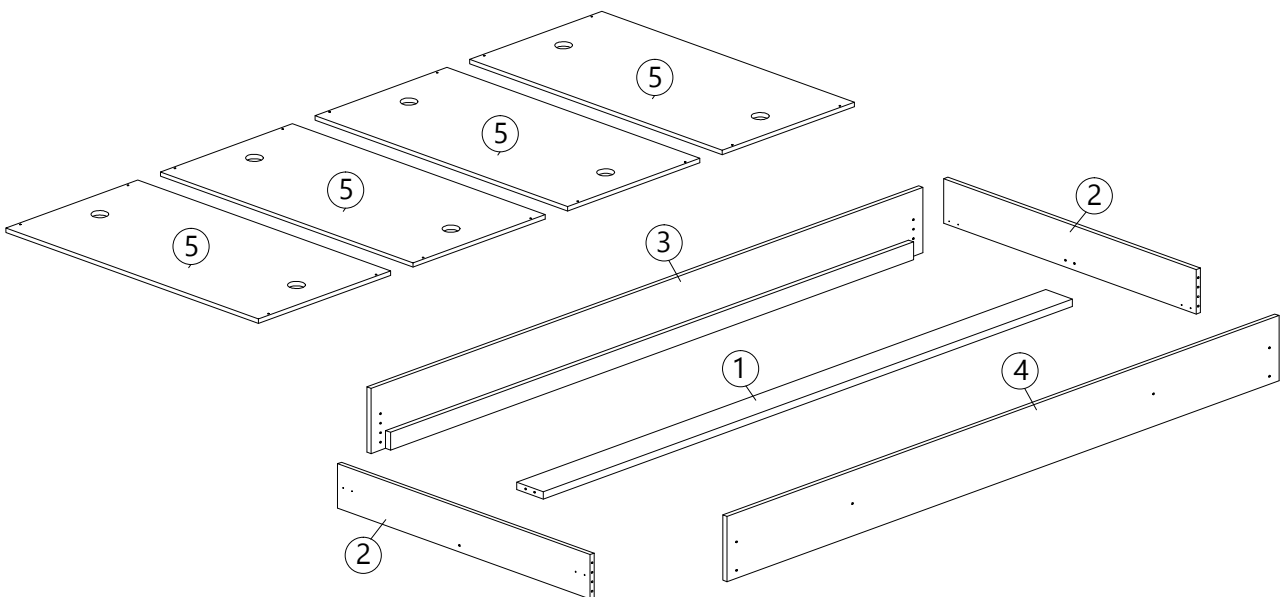
BED 36-S5V - EMMA BEDLADE / TIROIR / DRAWER BOX

~ Before assembly, please read the instructions ~
 ~ Keep these instructions for future reference ~
 ~ Follow these steps to assemble the product ~

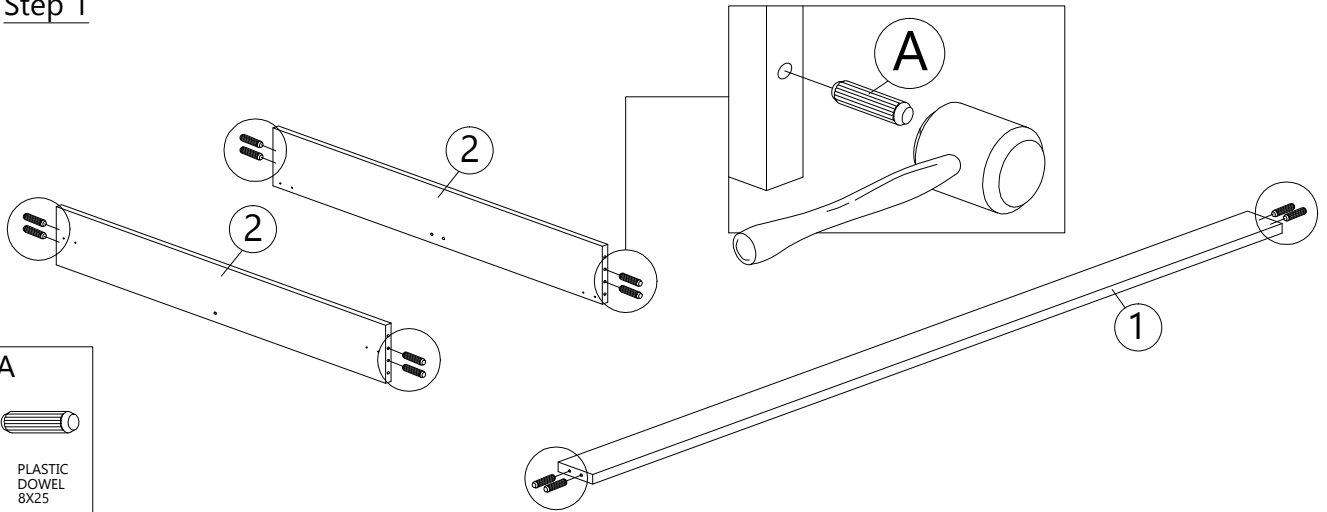


HARDWARE			
A  PLASTIC DOWEL 8X25 12pcs	B  16MM CB SCREW M3.5X16 16pcs	C  25MM CB SCREW M4X25 3pcs	D  30MM CB SCREW M4X30 16pcs
E  40MM CSK CAP M6X40 10pcs	F  C163 PLASTIC ROUND LEG 3pcs	G  1" NYLON CASTOR 4pcs	H  25MM NYLON ROLLER 4pcs
I  CAP 20pcs	J  METAL HANDLE RA01835 2pcs	K  24MM HANDLE SCREW M4X24 2pcs	L  ALLEN KEY 1pc

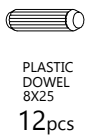
PART LIST



Step 1

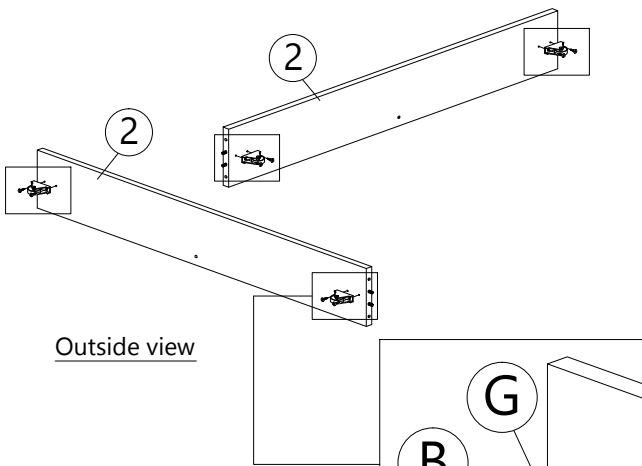


A



PLASTIC
DOWEL
8X25
12pcs

Step 2



Outside view

B



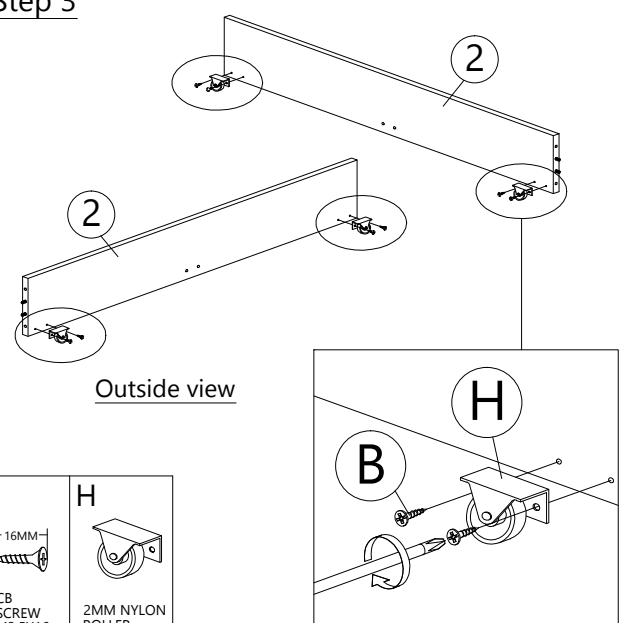
CB
SCREW
M3.5X16
8pcs

G



1" NYLON
CASTOR
4pcs

Step 3



Outside view

B



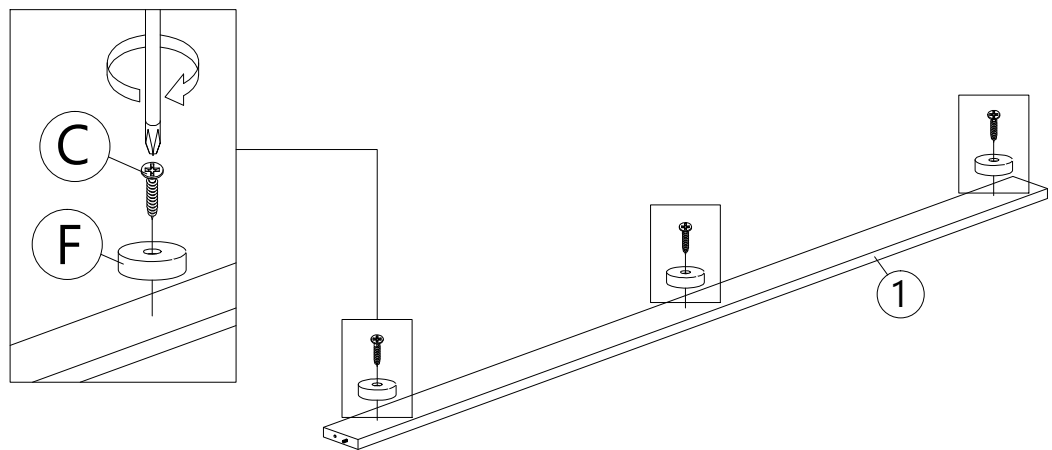
CB
SCREW
M3.5X16
8pcs

H



2MM NYLON
ROLLER
4pcs

Step 4



Base view

C



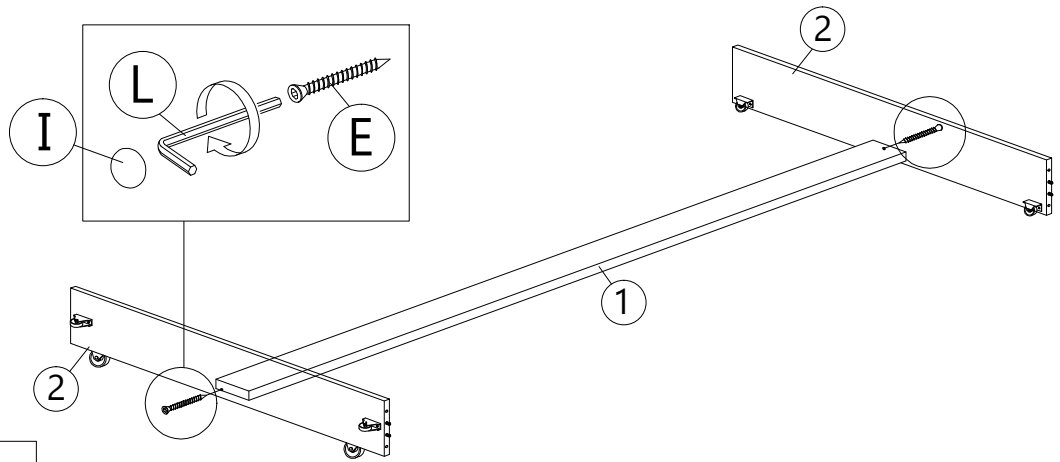
CB
SCREW
M4X25
3pcs

F



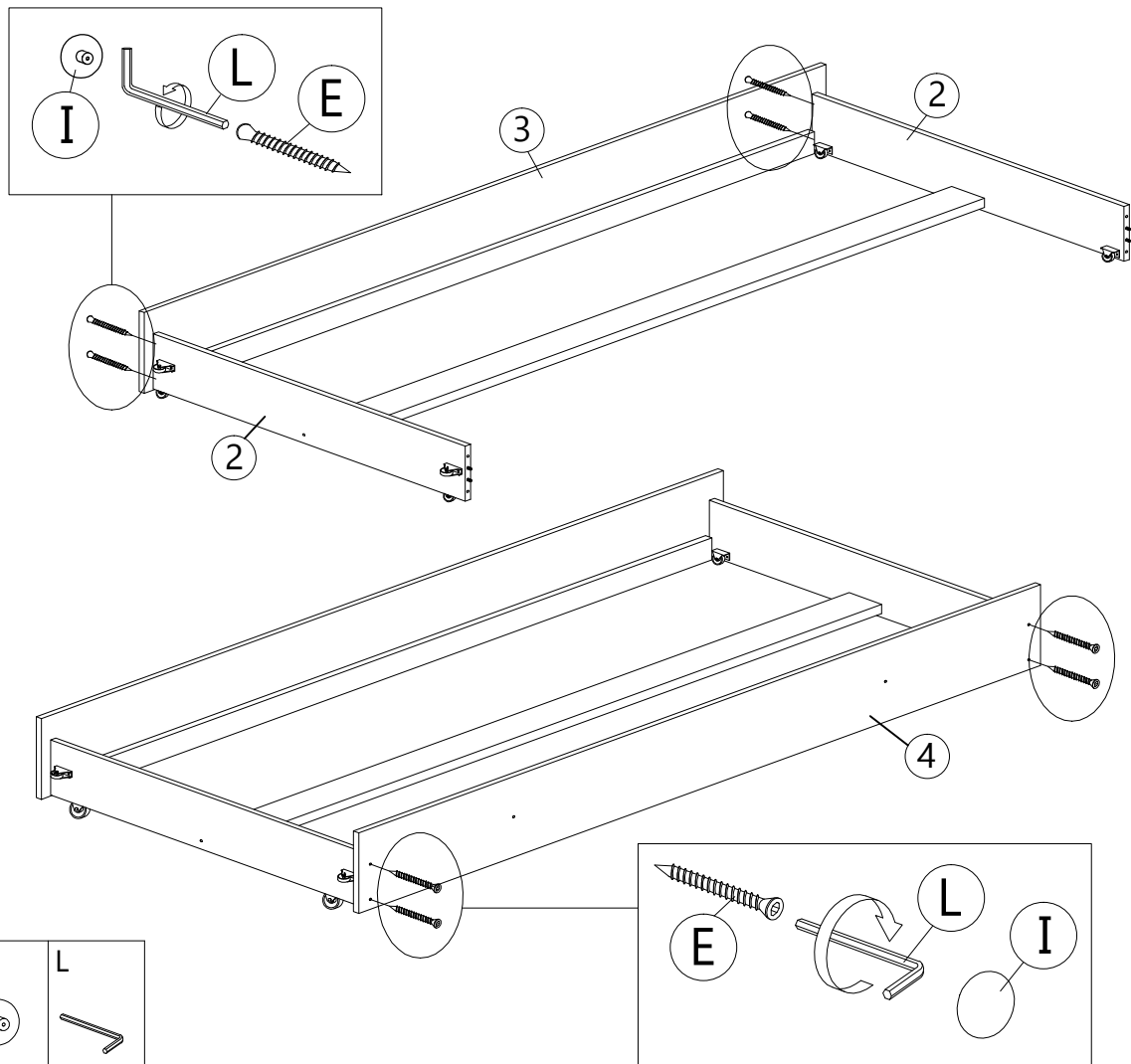
C163 PLASTIC
ROUND LEG
3pcs

Step 5



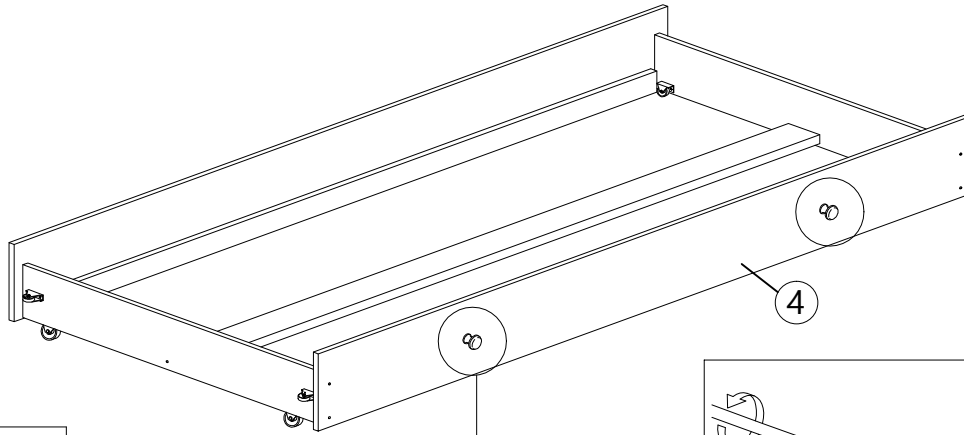
E	I	L
CSK CAP M6X40 2pcs	CAP 2pcs	ALLEN KEY 1pc



Step 6

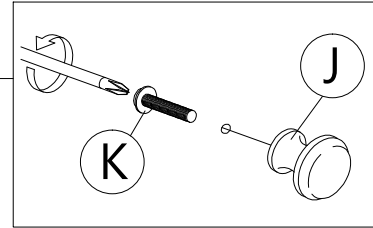


E	I	L
CSK CAP M6X40 8pcs	CAP 8pcs	ALLEN KEY 1pc

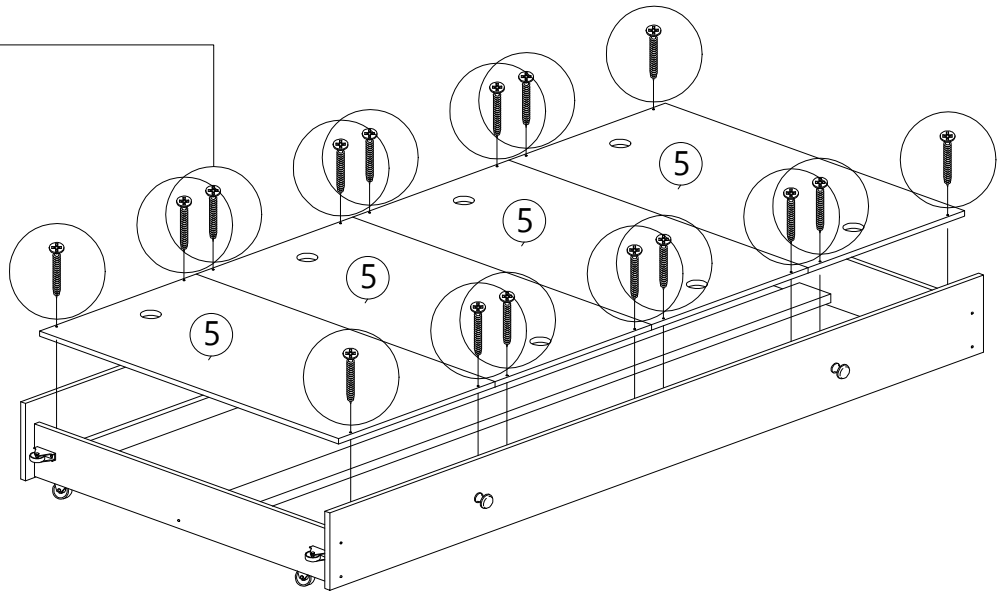
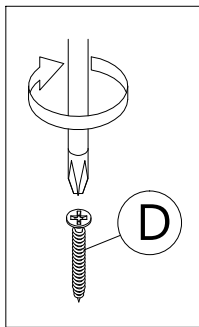
Step 7

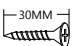


- | | |
|--|--|
| J

METAL HANDLE
RA01835
2pcs | K

HANDLE SCREW
M4X24
2pcs |
|--|--|



Step 8



- | |
|---|
| D

CB SCREW
M4X30
16pcs |
|---|

COMPLETED

