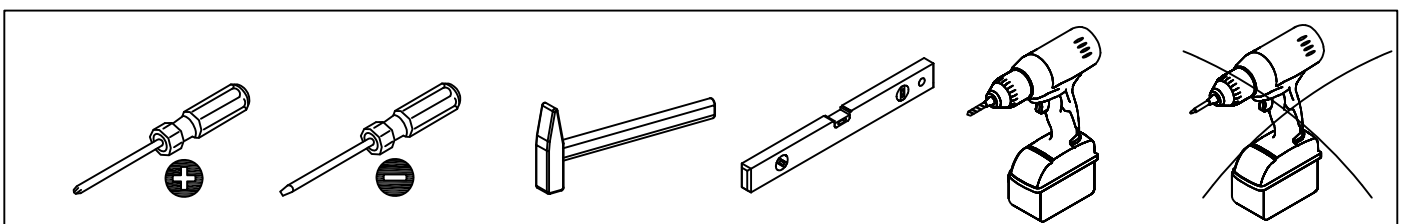
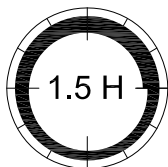
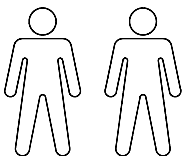
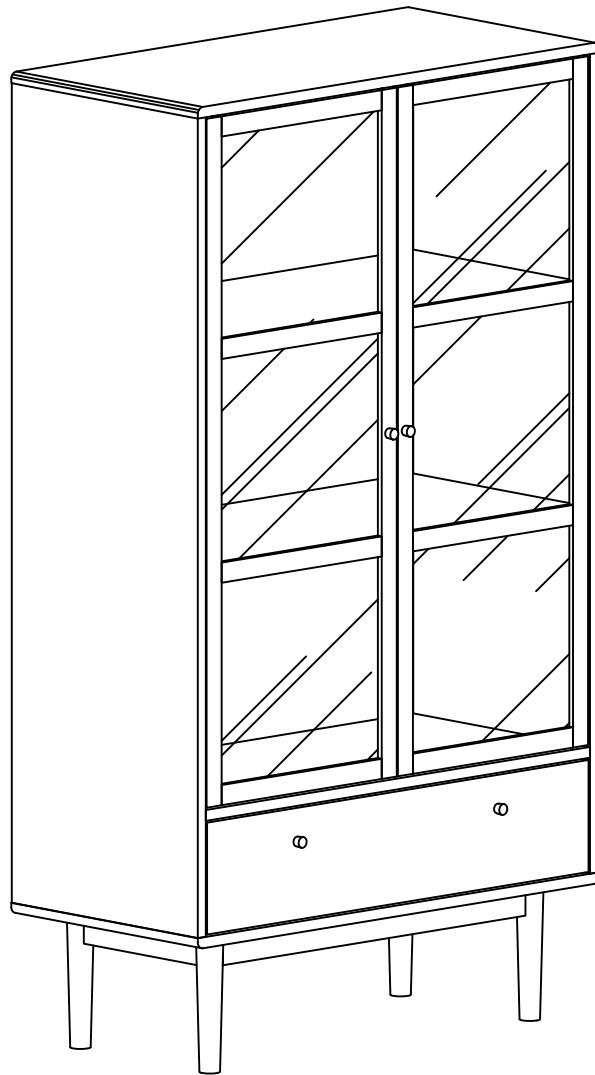
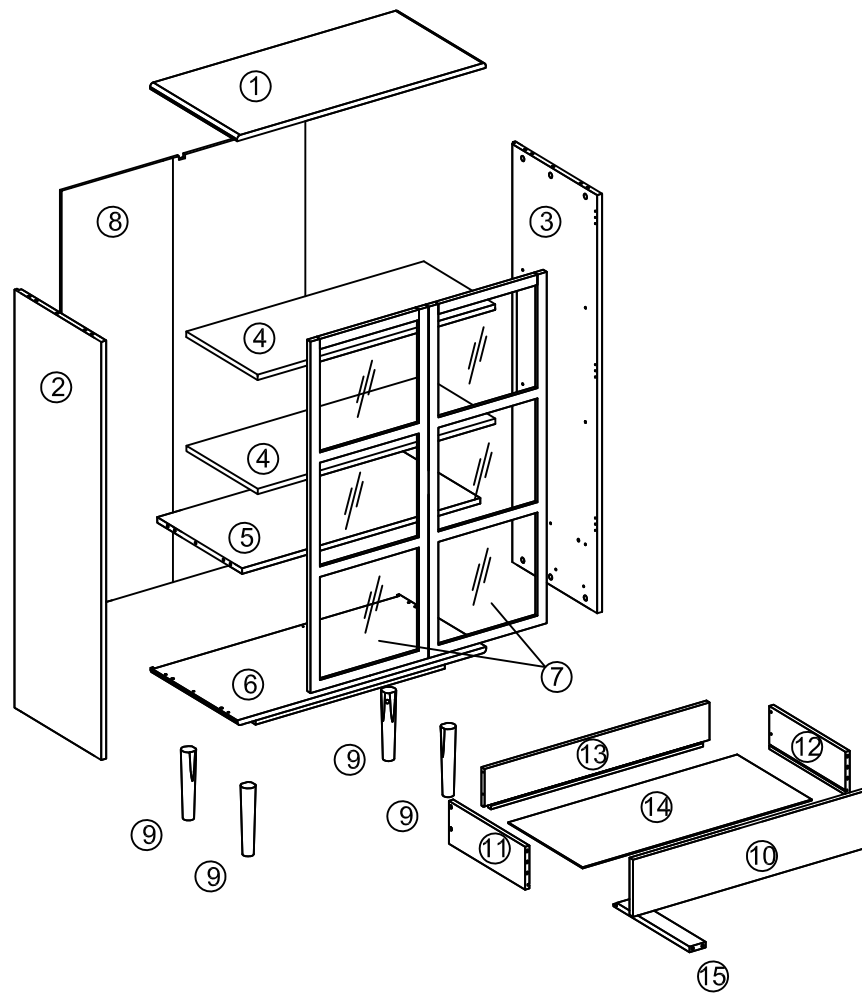


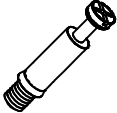
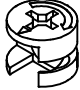

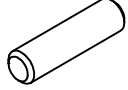


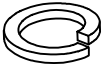
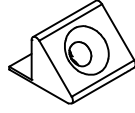

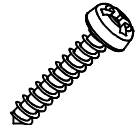
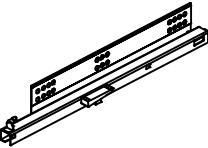
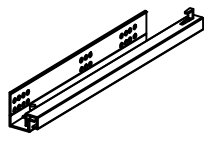



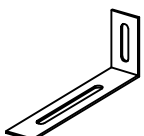

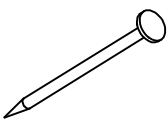

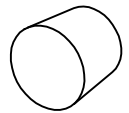






ASTON







			✓
①	1	800x400x16	
②	1	1216x399x16.5	
③	1	1216x399x16.5	
④	2	763x358x16	
⑤	1	765x381x16	
⑥	1	800x400x59	
⑦	2	1022x378x18	
⑧	1	1228x777x3	

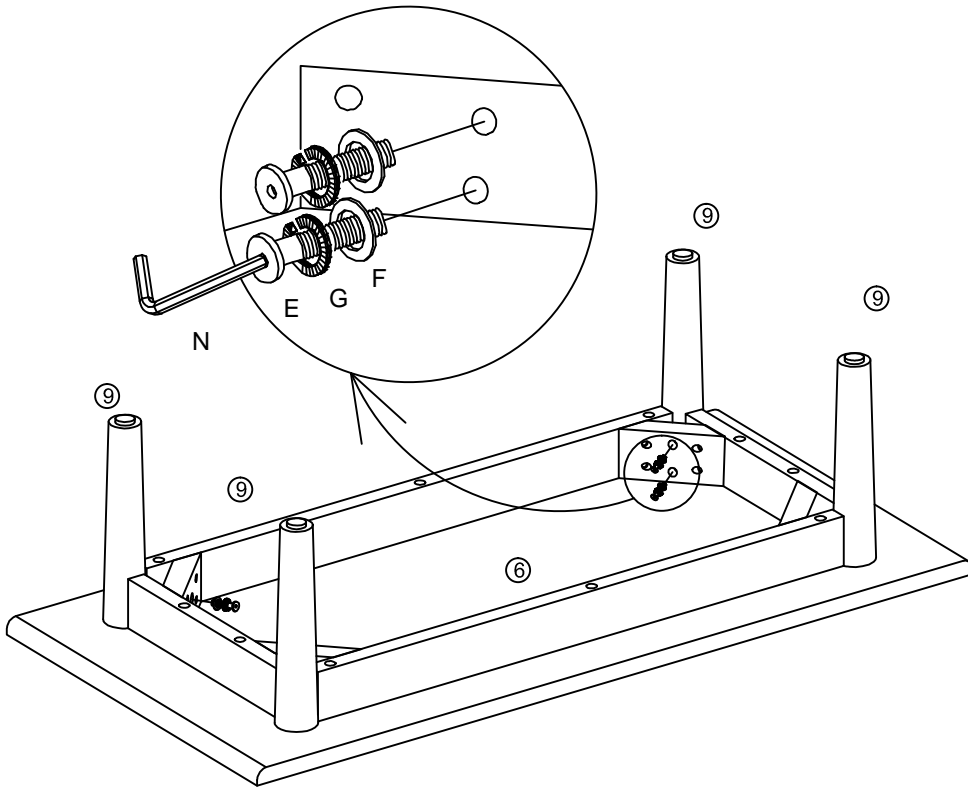
			✓
⑨	4	200x ϕ 40/ ϕ 30	
⑩	1	759x166x17	
⑪	1	350x125x14	
⑫	1	350x125x14	
⑬	1	724x123x14	
⑭	1	736x347x3	
⑮	1	350x52x14	





<p>A x24</p>  <p>ø7x34mm</p>	<p>B x24</p>  <p>ø15x11mm</p>	<p>C x6</p>  <p>ø26</p>	<p>D x14</p>  <p>ø8x30mm</p>	<p>E x8</p>  <p>M6X60mm</p>
<p>F x8</p>  <p>M6</p>	<p>G x8</p>  <p>M6</p>	<p>H x18</p>  <p>15x15x10mm</p>	<p>J x5</p>  <p>ø3.5x35mm</p>	<p>K x8</p>  <p>ø3x16mm</p>
<p>L x1</p>  <p>350mm</p>	<p>M x1</p>  <p>350mm</p>	<p>N x1</p>  <p>4mm</p>	<p>P x6</p>  <p>ø5.8x11mm</p>	<p>Q x8</p>  <p>ø5mm</p>
<p>R x1</p>  <p>75x15x25mm</p>	<p>S x3</p>  <p>ø4/ø12mm</p>	<p>T x10</p>  <p>ø1.2x20mm</p>	<p>U x4</p>  <p>ø20mm</p>	<p>V x4</p>  <p>ø25x25mm</p>
<p>W x4</p>  <p>M4x22</p>	<p>X x18</p>  <p>ø3.5x15mm</p>	<p>Y x18</p>  <p>ø3x20mm</p>	<p>Z x4</p>  <p>55x25x14mm</p>	<p>AA x4</p>  <p>42x12mm</p>
<p>AB x4</p>  <p>ø3x12mm</p>				

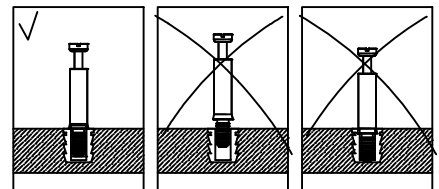
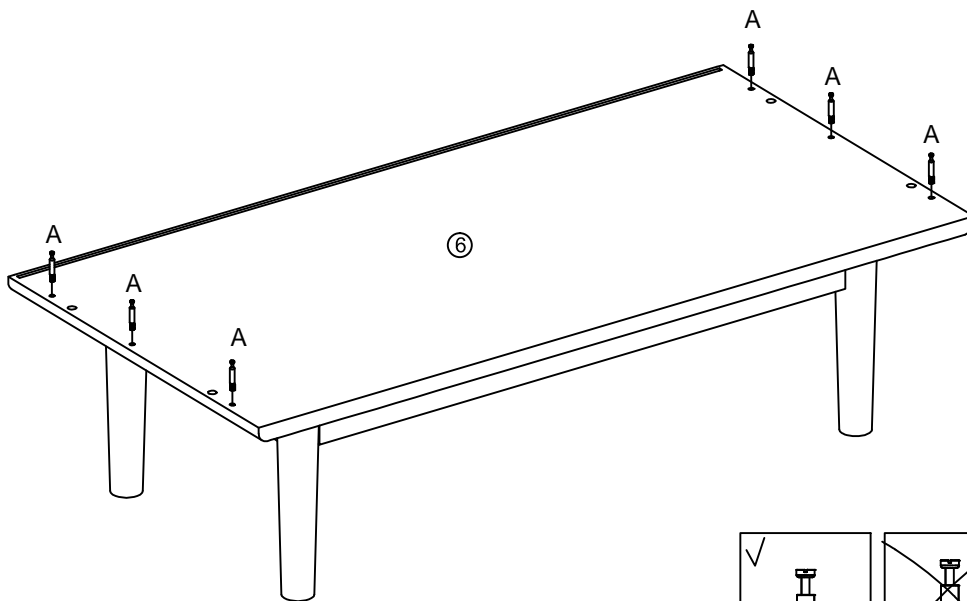
1

E x8  M6x60mm	F x8  M6mm	G x8  M6mm	N x1  4mm
--	---	---	--





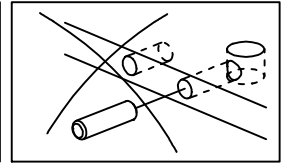
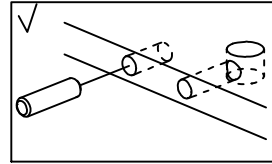
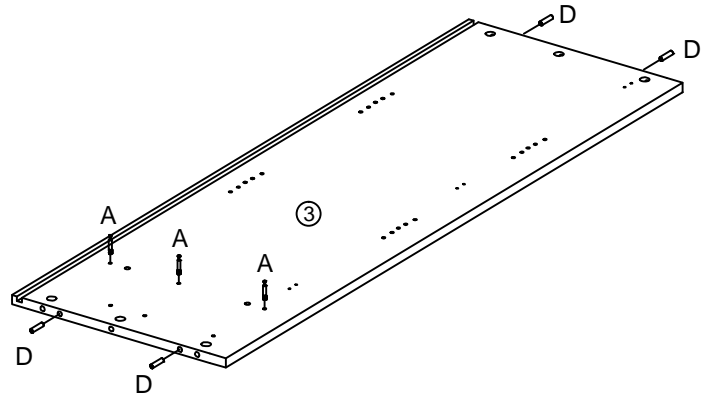
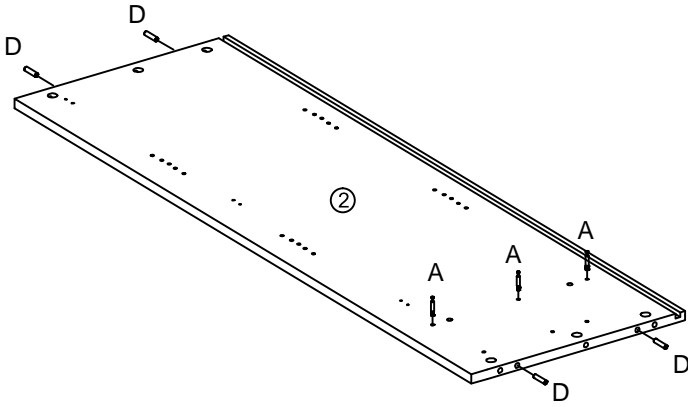
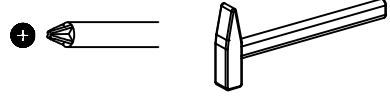
2

A x6  Ø7x34mm	
--	---

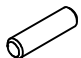




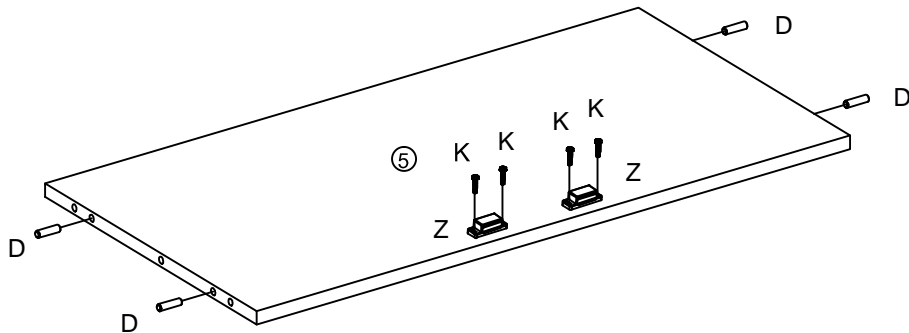
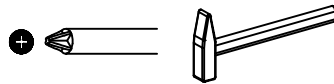
3

A x6  ø7x34mm	D x8  ø8x30mm
--	--

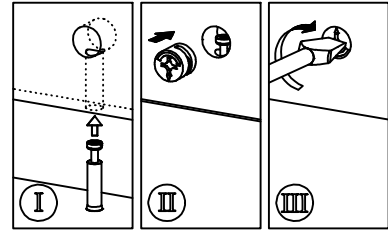
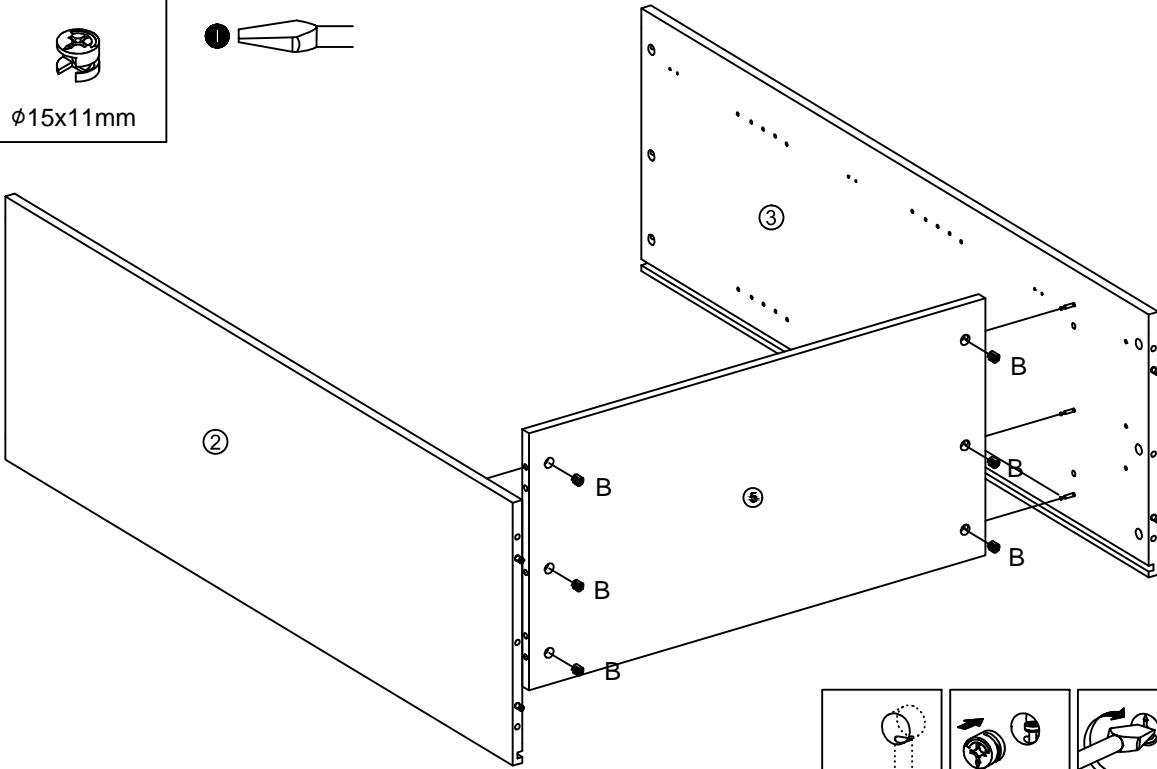
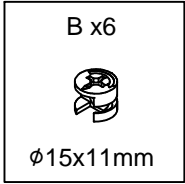


4

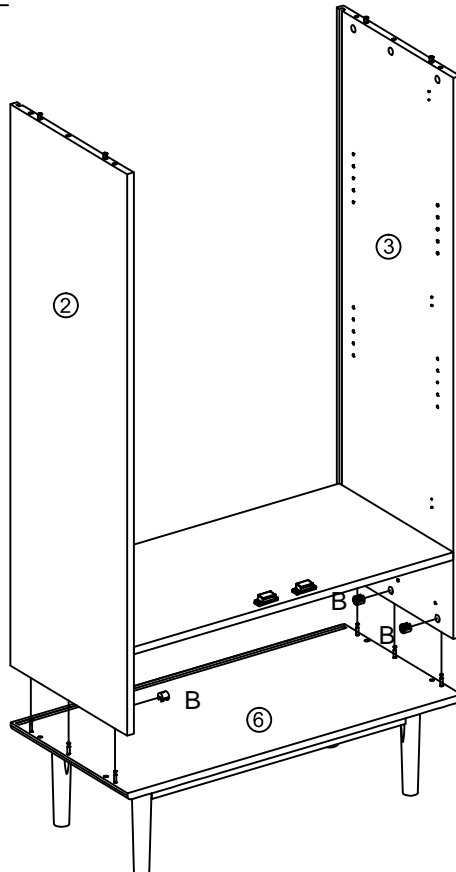
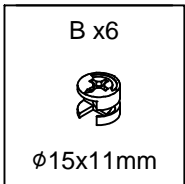
D x4  ø8x30mm	K x4  ø3x16mm	Z x2  55x25x14mm
--	--	---



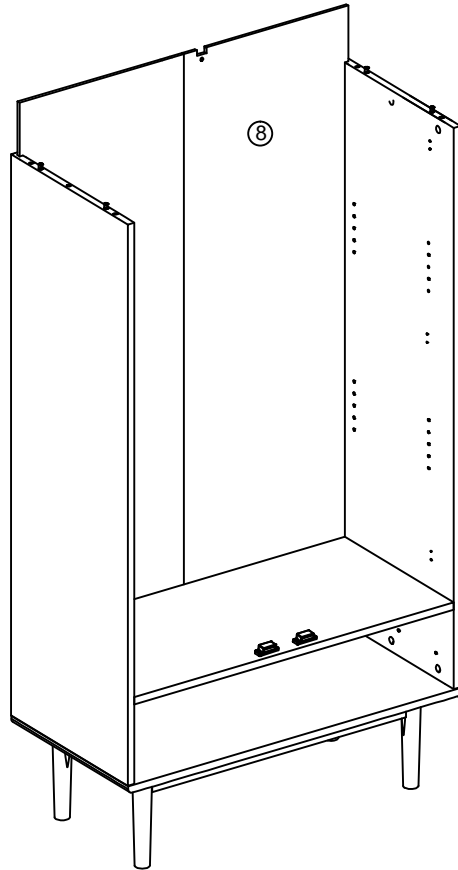
5





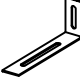



6

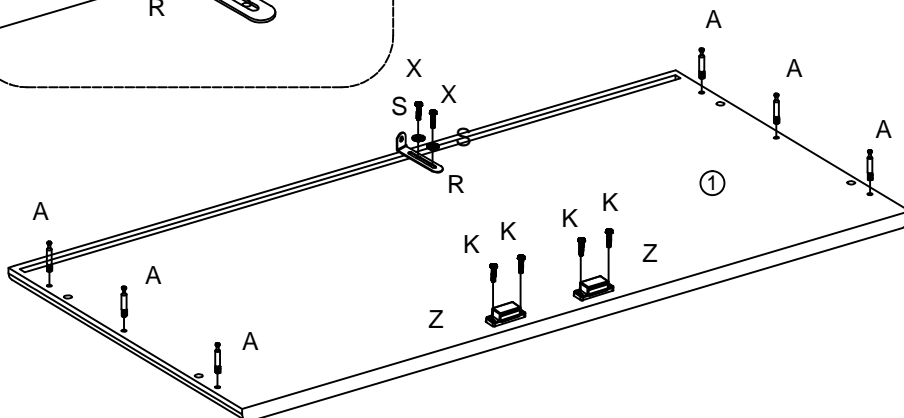
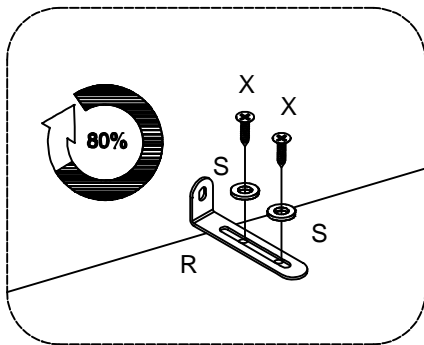


7




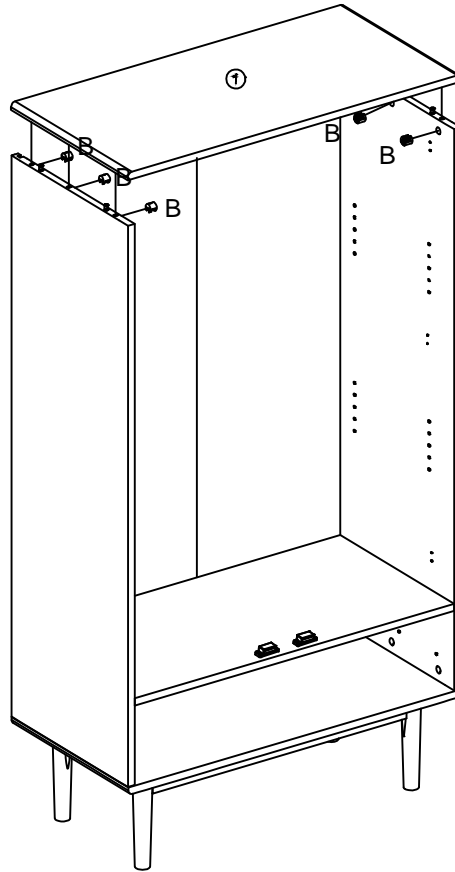
8

<p>A x6</p>  <p>φ7x34mm</p>	<p>X x2</p>  <p>φ3.5x15mm</p>	<p>R x1</p>  <p>75x15x25mm</p>	<p>S x2</p>  <p>φ4/φ12mm</p>	<p>K x4</p>  <p>φ3x16mm</p>	<p>Z x2</p>  <p>55x25x14mm</p>
--	--	---	---	--	---

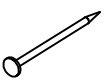




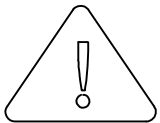
9

B x6

φ15x11mm

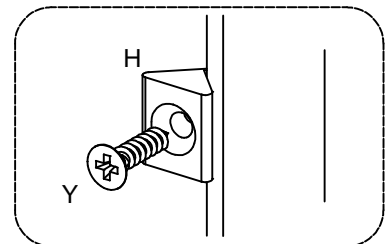
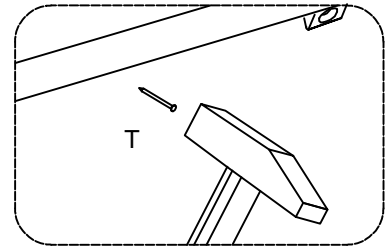
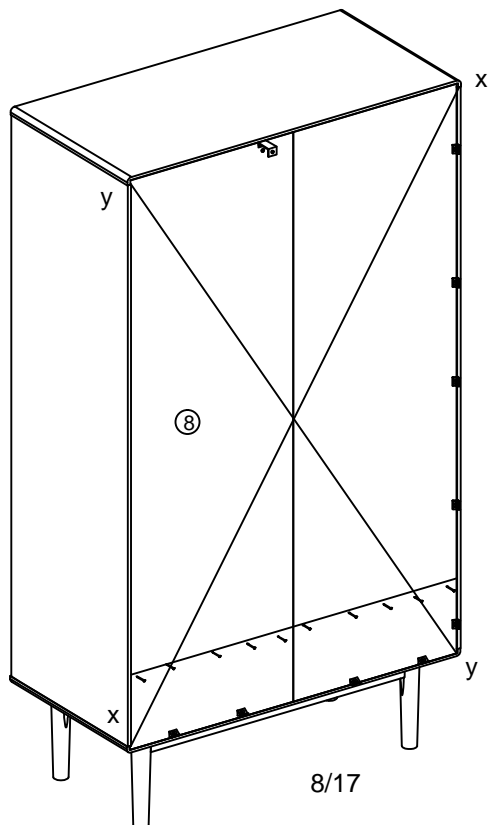


10

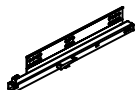
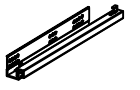


T x10  1.2x20mm	H x18  15x15x10mm	Y x18  φ3x20mm
--	--	---

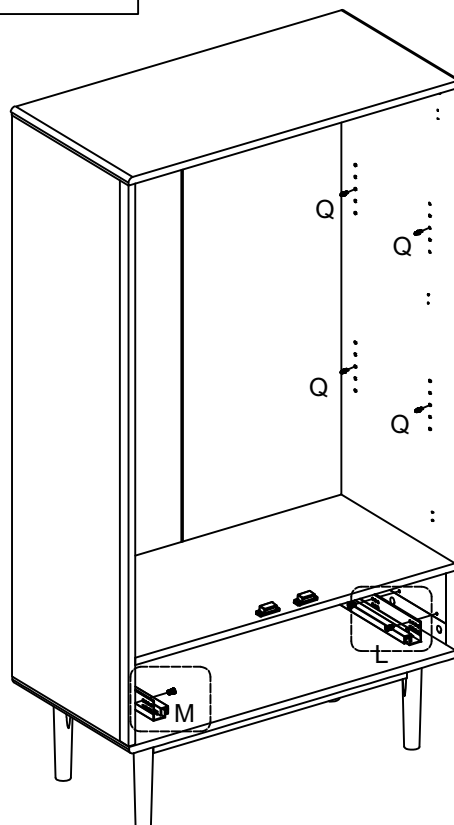
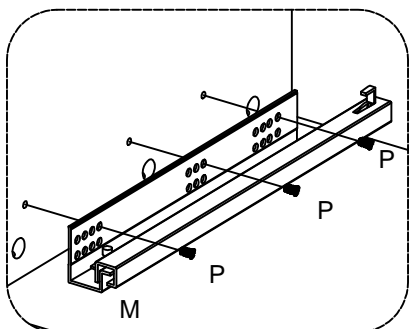
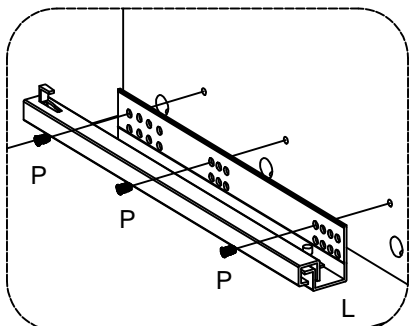
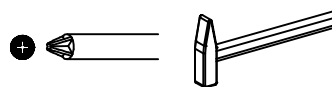


xx=yy

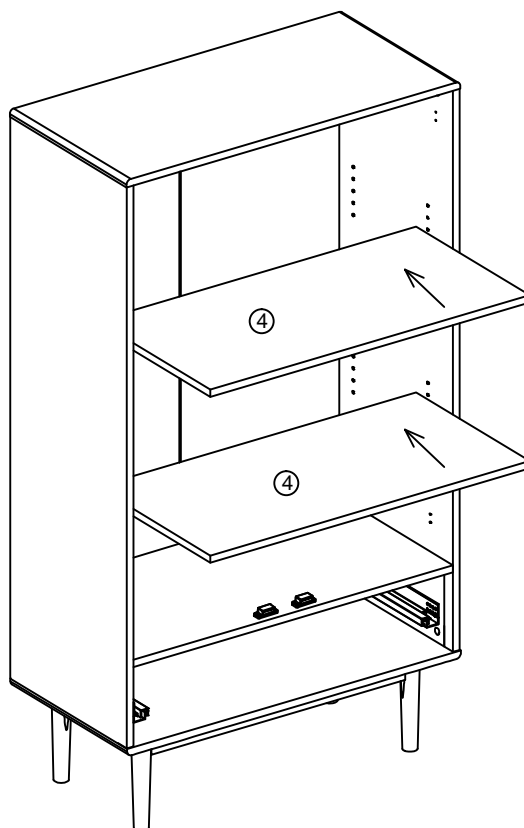


11







L x1  350mm	M x1  350mm	P x6  φ5.8x11mm	Q x8  φ5
--	--	--	---

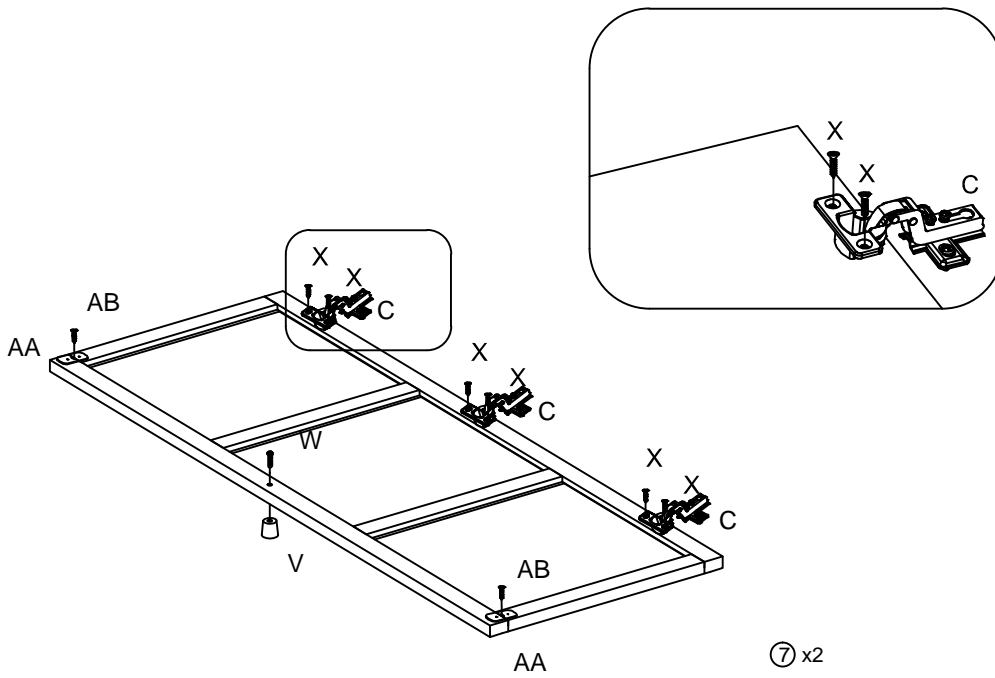
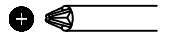


12

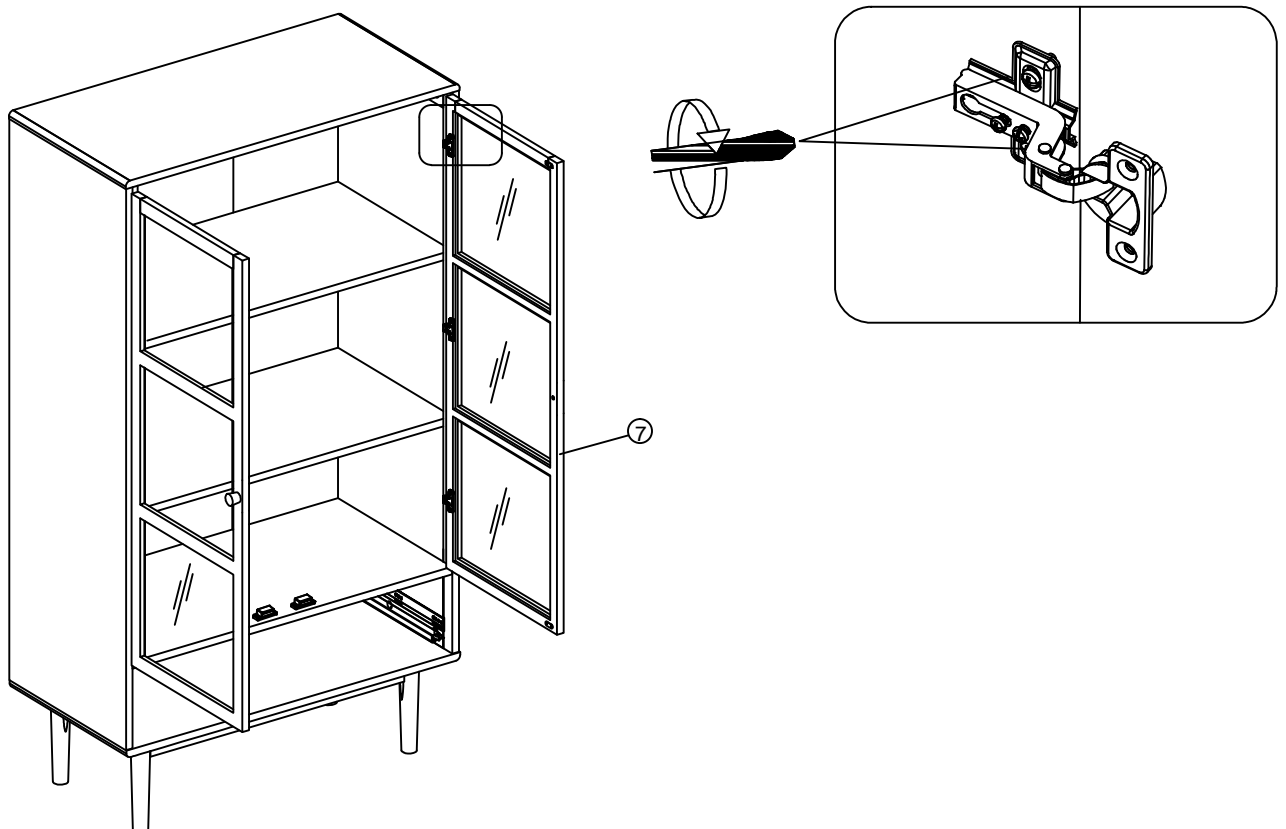


13

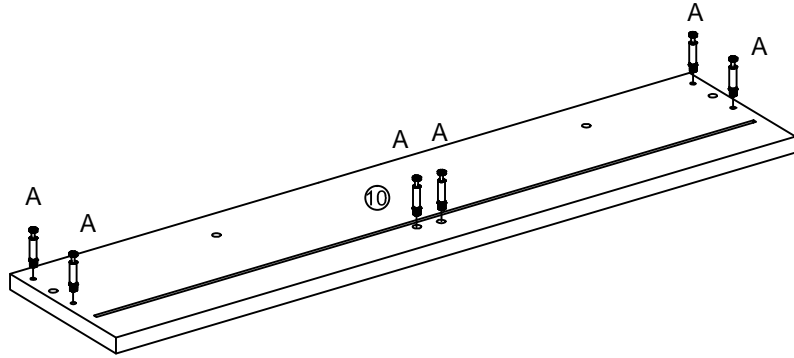
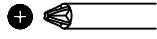
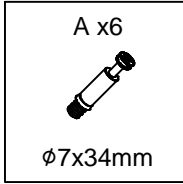
C x6  ø26mm	V x2  ø25x25mm	W x2  M4x22mm	X x12  ø3.5x15mm	AA x4  42x12mm	AB x4  ø3x12mm
--	---	--	---	--	---



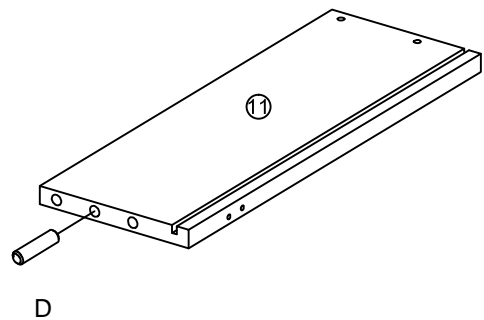
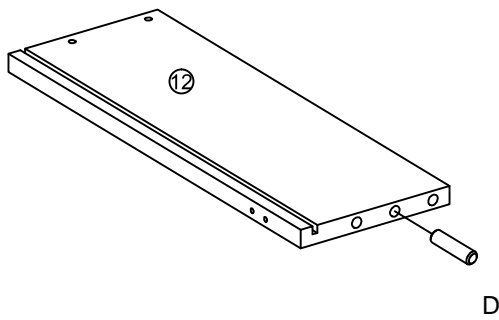
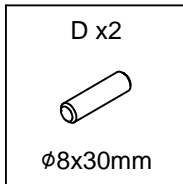
14



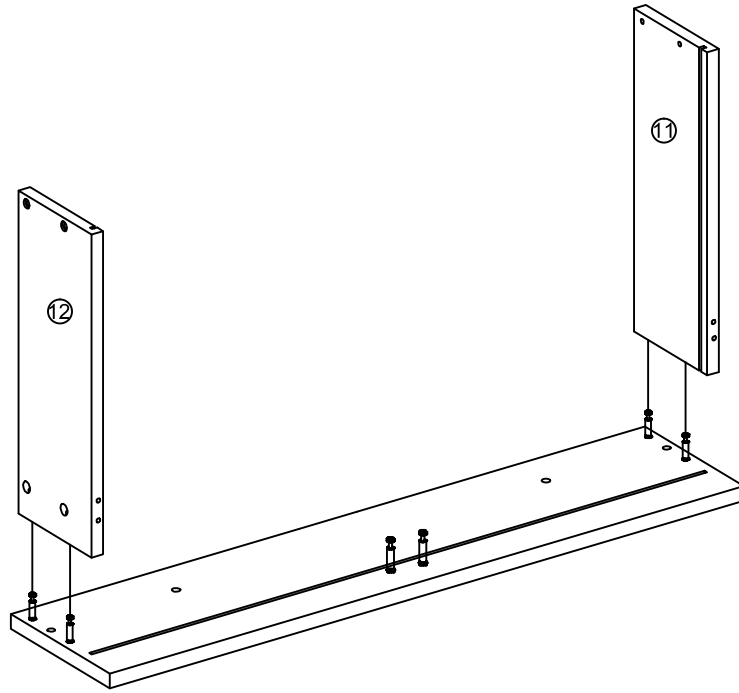
15



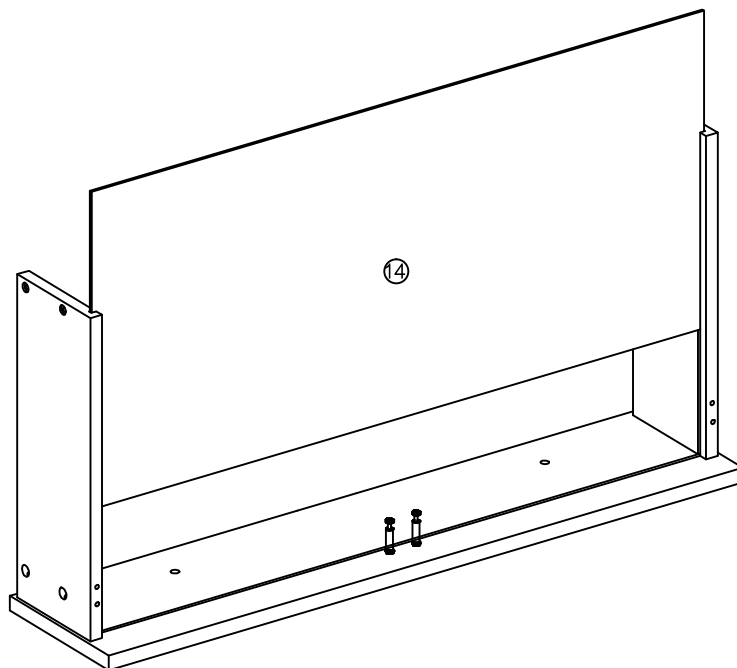
16



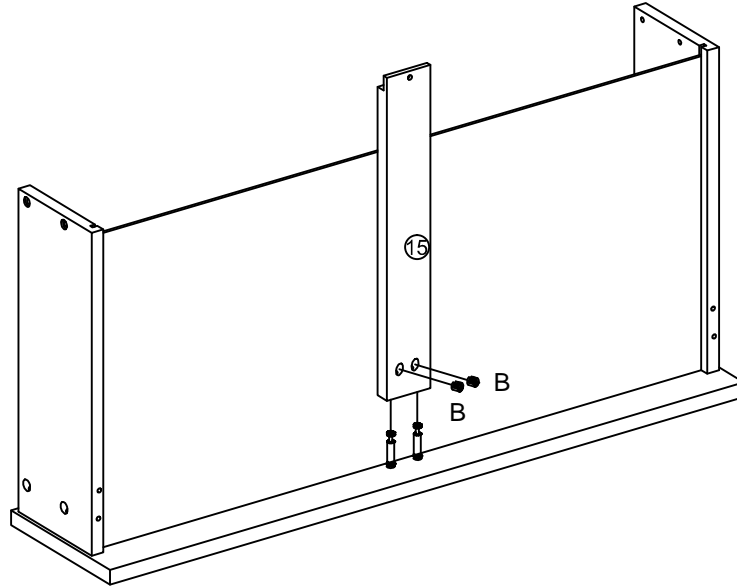
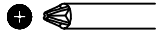
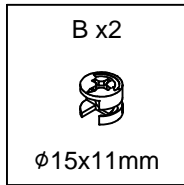
17



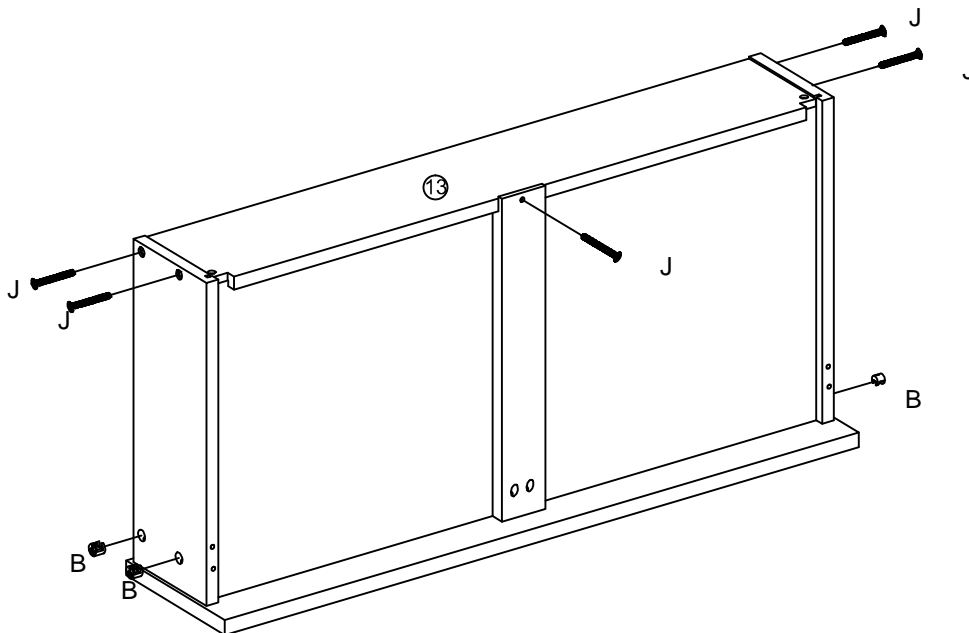
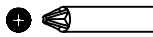
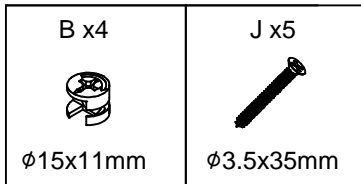
18



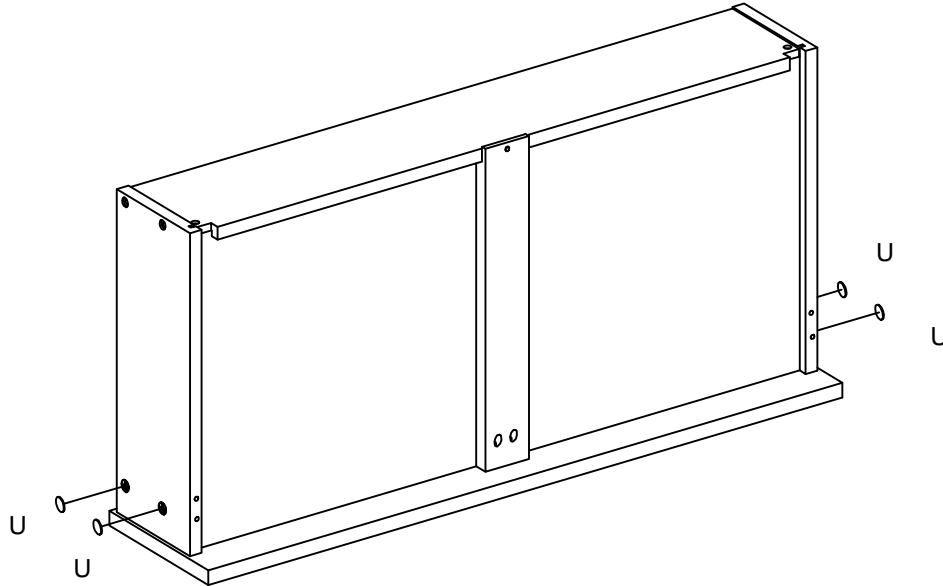
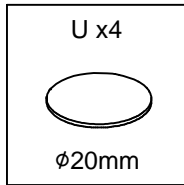
19



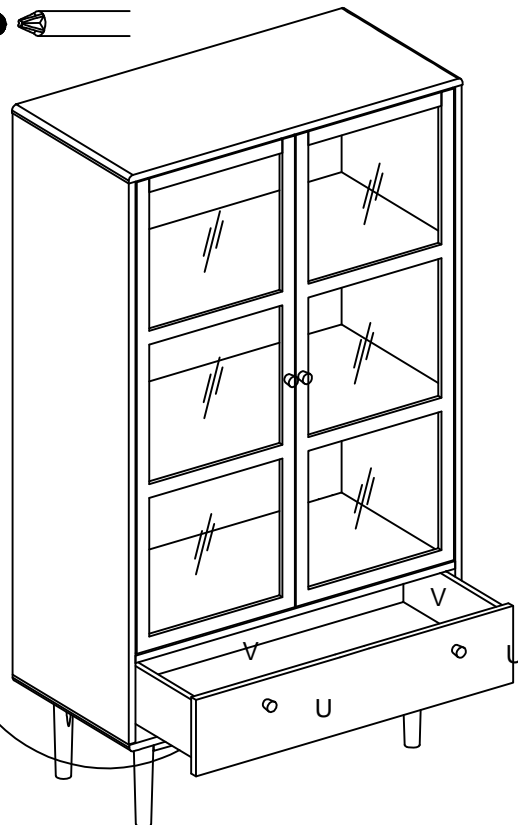
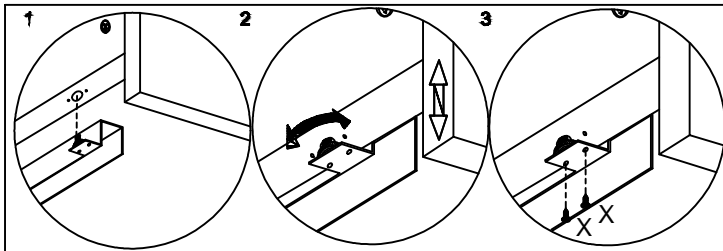
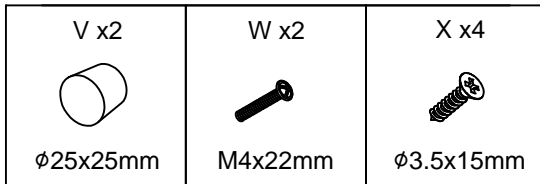
20



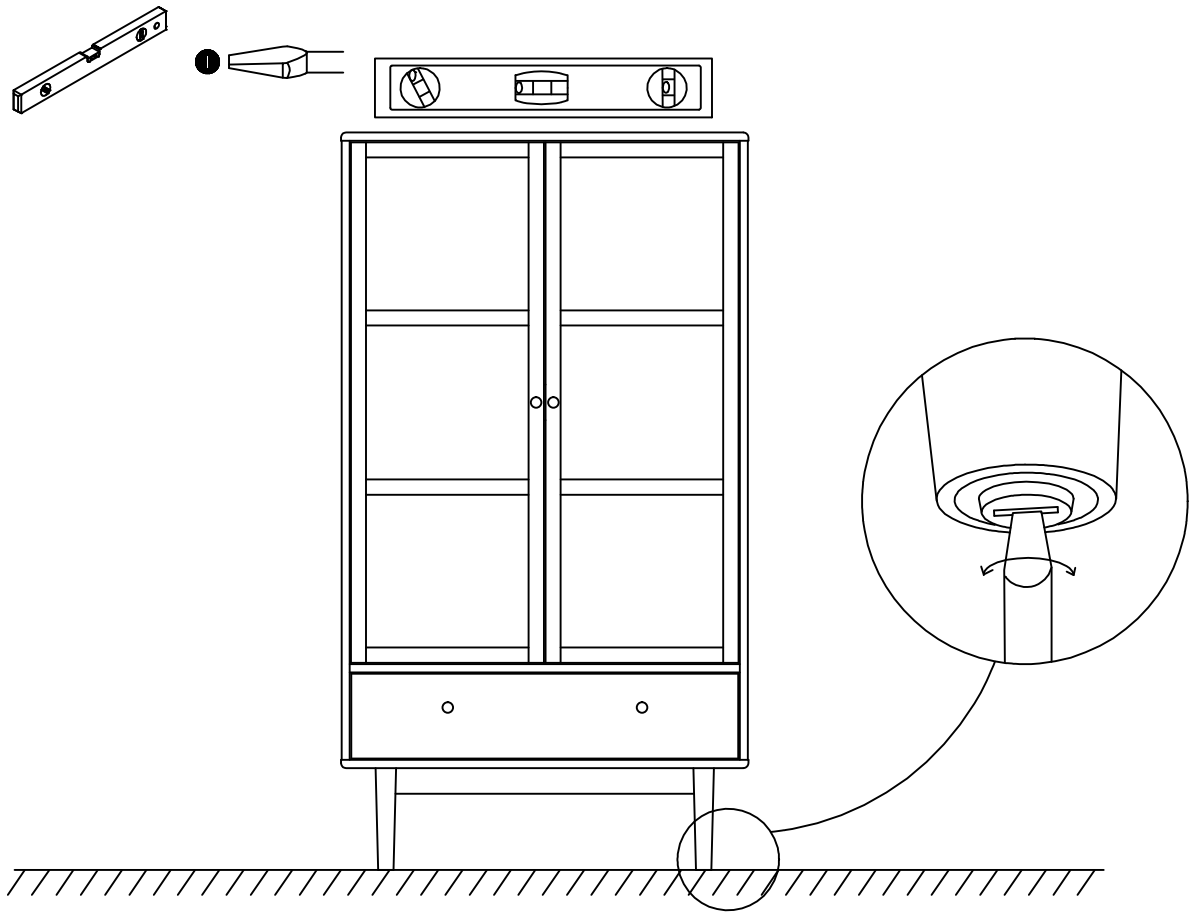
21



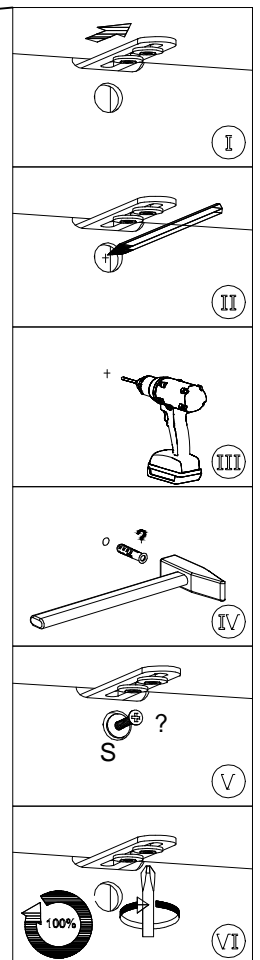
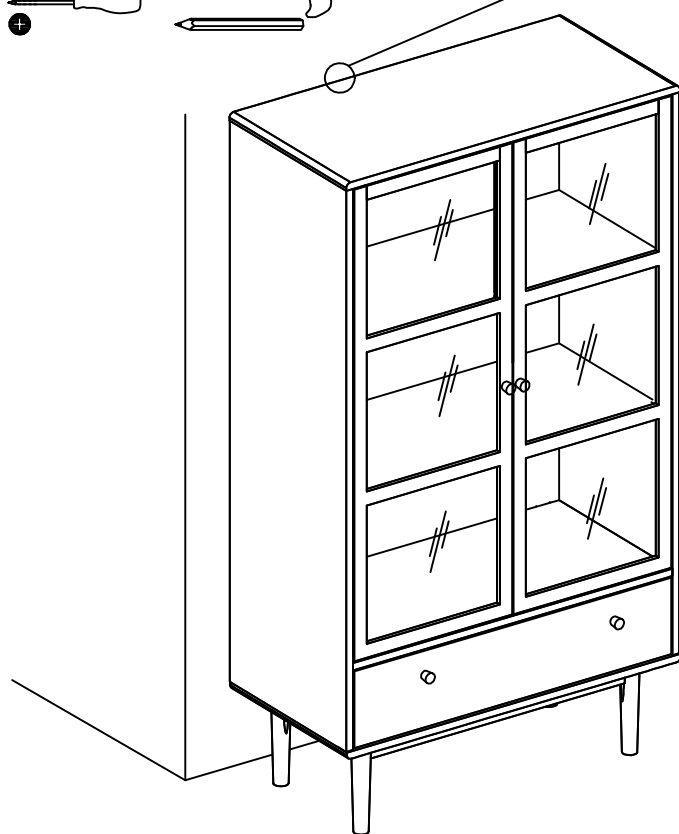
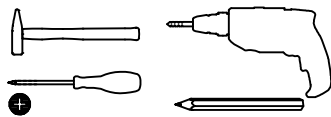
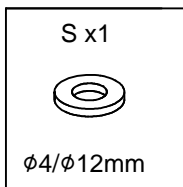
22



23



24



25

