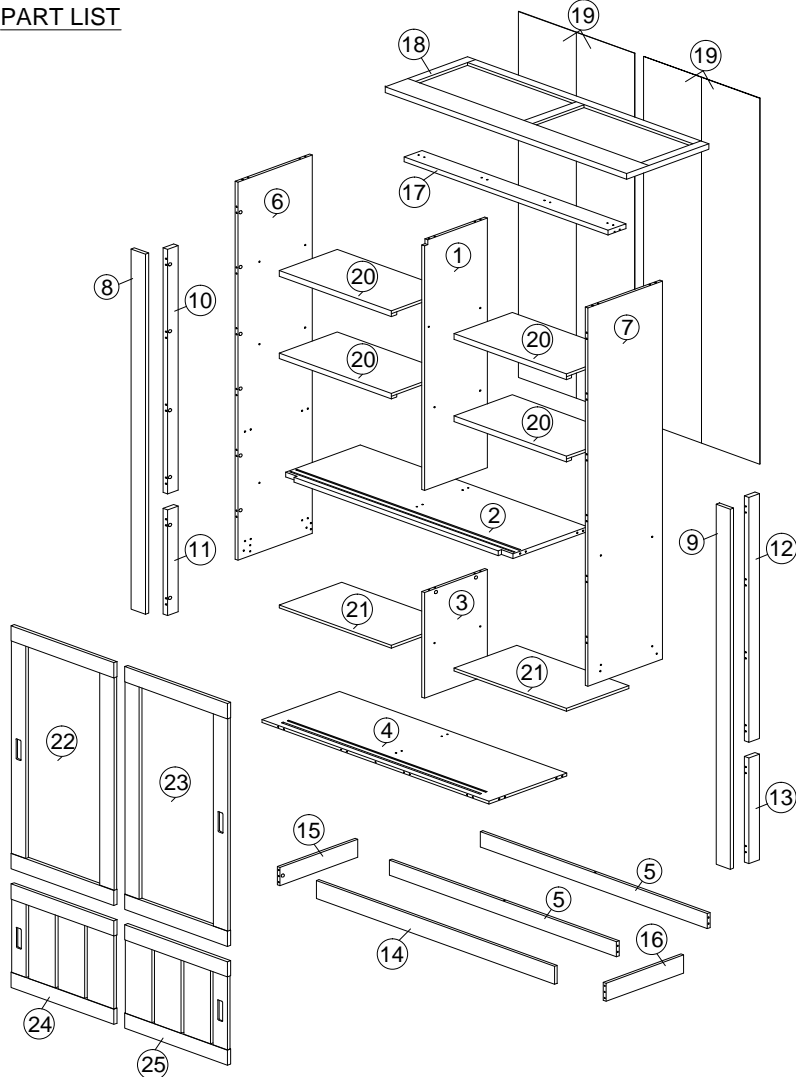


ASSEMBLY INSTRUCTION

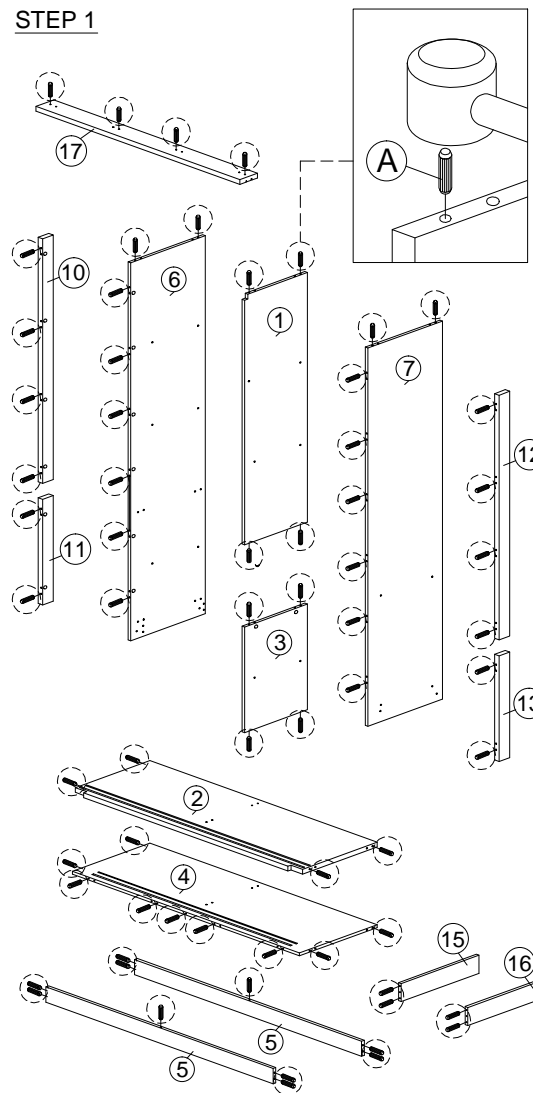
MODEL : BC 70075GR-S5V - EDDY GLASKAST / ARGENTIER / GLASS CABINET

HARDWARE	A	B	C	D	E	F	F2	G	H	I	I1	I2	J	K	L	M	N	O	P	Q	R
	PLASTIC DOWEL M8X25 1X67	CB SCREW M3.5X16 1X56	CB SCREW M4X30 1X4	CSK CAP M6X40 1X10	CSK CAP M6X50 1X12	MINIFIX 5654 32 SETS	MINIFIX 5654 32 SETS	METAL SHELF SUPPORT 1X24	CAP 1X22	1139 ROLLER - WHITE 8 SETS	1139 ROLLER - WHITE 8 SETS	1139 ROLLER - WHITE 8 SETS	PLASTIC RAIL (1140MM) 1X8	POWER NAIL 6/8 1X80	PLASTIC PIN 1X6	ALLEN KEY 1X1	Z BRACKET 1X16	P/H SCREW M4X12 1X16	GLASS (1148 X 445 X 3MM) 1X2	HANDLE 11036 (PVC) - SILVER 1X4	TRUSS HEAD CB SCREW M4X16 1X8

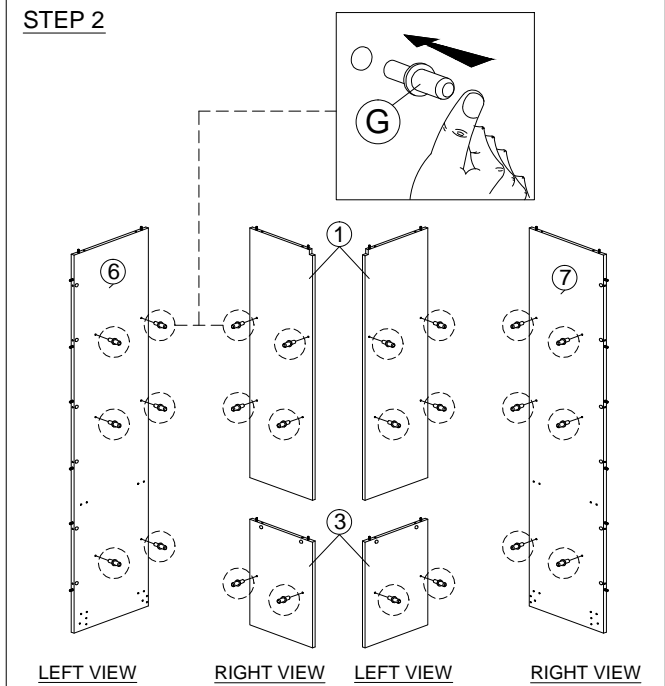
PART LIST



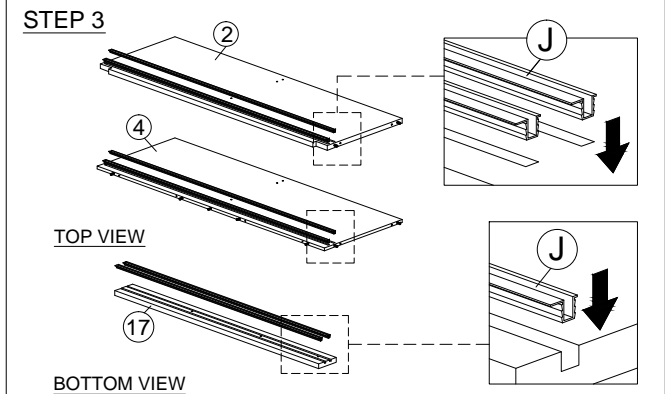
STEP 1



STEP 2

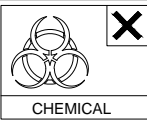


STEP 3

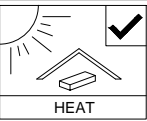




SOFT, DRY CLOTH



CHEMICAL



HEAT



KEEP DRY



HANDLE WITH CARE

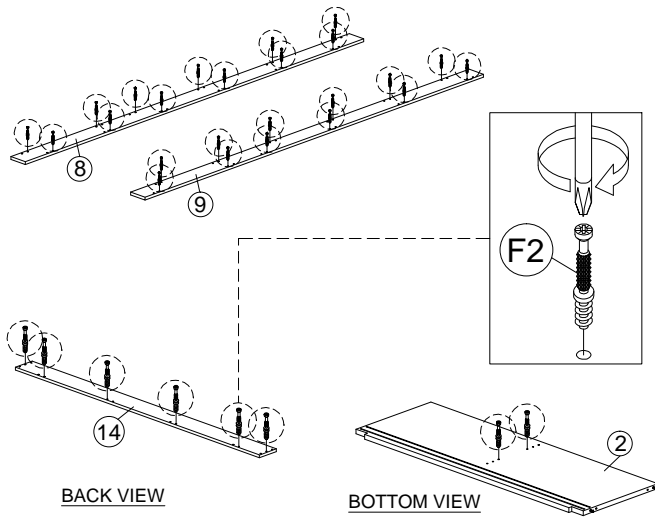


DO NOT USE KNIFE

ASSEMBLY INSTRUCTION

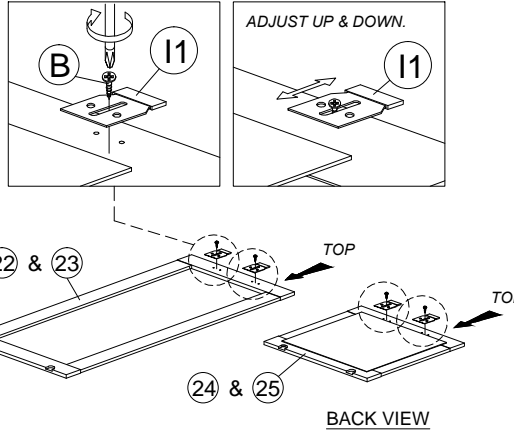
MODEL : BC 70075GR-S5V - EDDY GLASKAST / ARGENTIER / GLASS CABINET

STEP 4

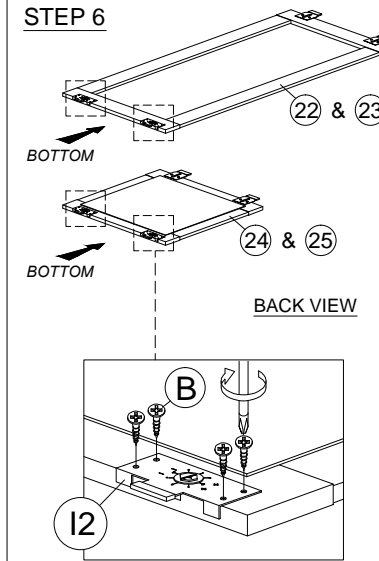


STEP 5

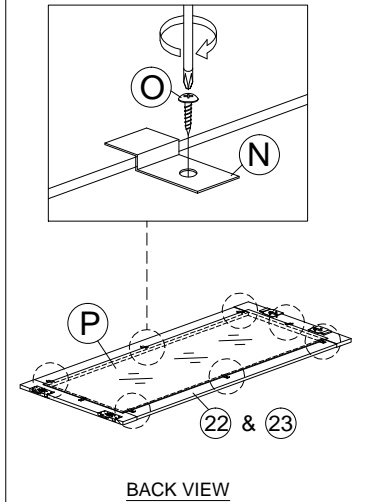
1. SCREW AT THE CENTER SLIDING DOOR GUIDE.
2. DO NOT FULLY TIGHTEN THE SCREW.
3. SO THAT, MAKE IT EASY TO ADJUST UP & DOWN.



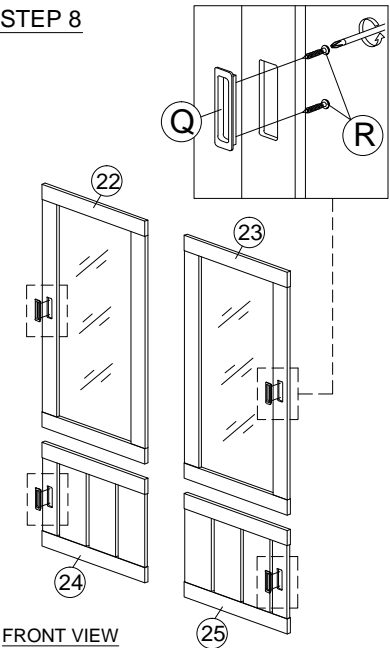
STEP 6



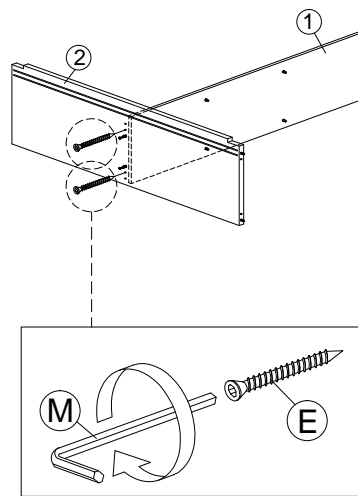
STEP 7



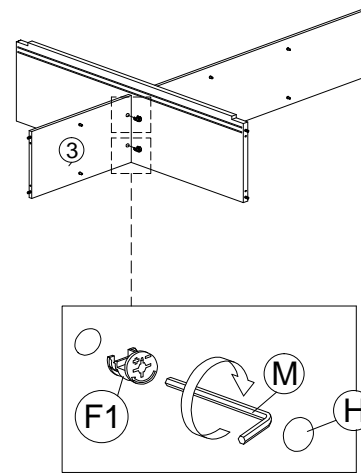
STEP 8



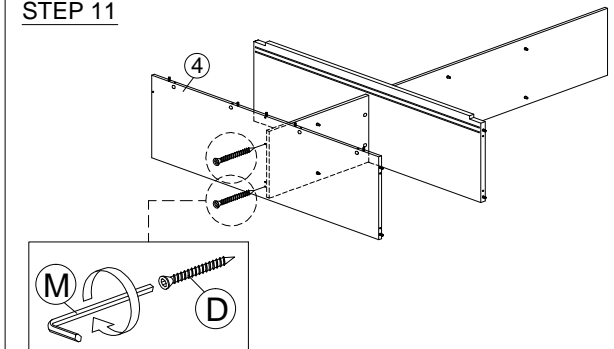
STEP 9



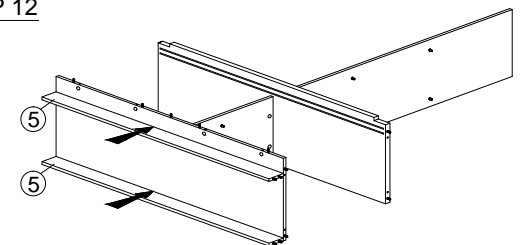
STEP 10



STEP 11

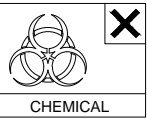


STEP 12

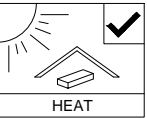




SOFT, DRY CLOTH



CHEMICAL



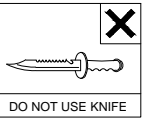
HEAT



KEEP DRY



HANDLE WITH CARE

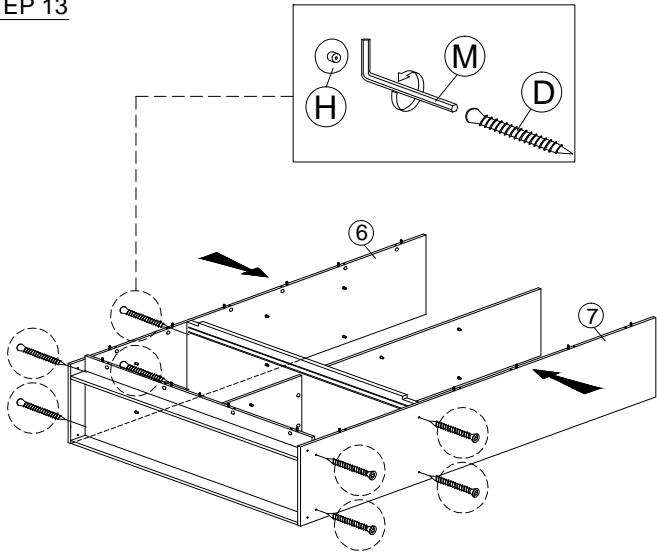


DO NOT USE KNIFE

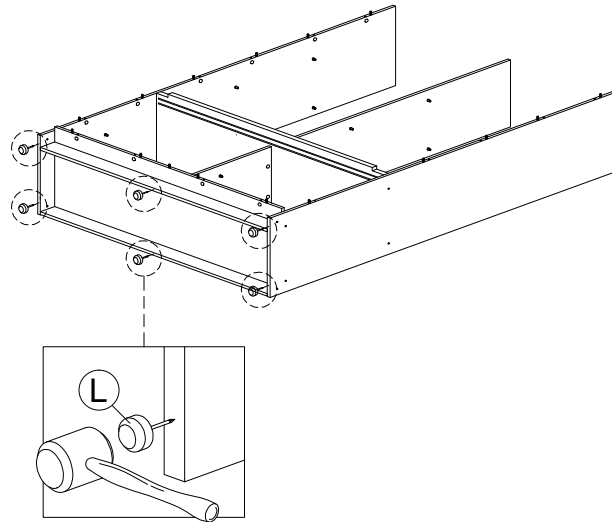
ASSEMBLY INSTRUCTION

MODEL : BC 70075GR-S5V - EDDY GLASKAST / ARGENTIER / GLASS CABINET

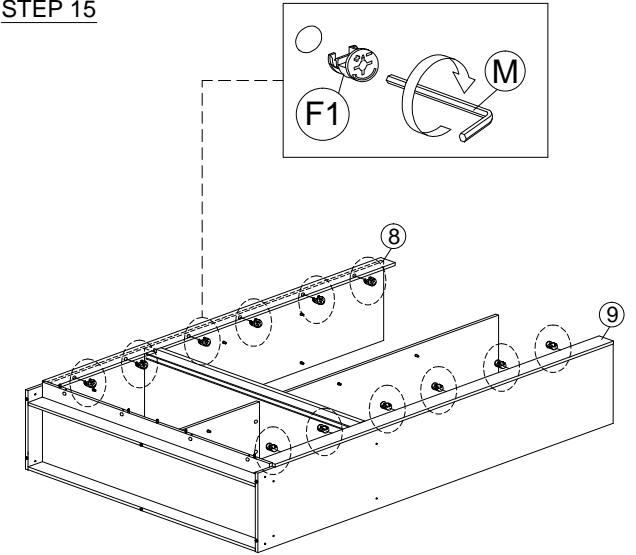
STEP 13



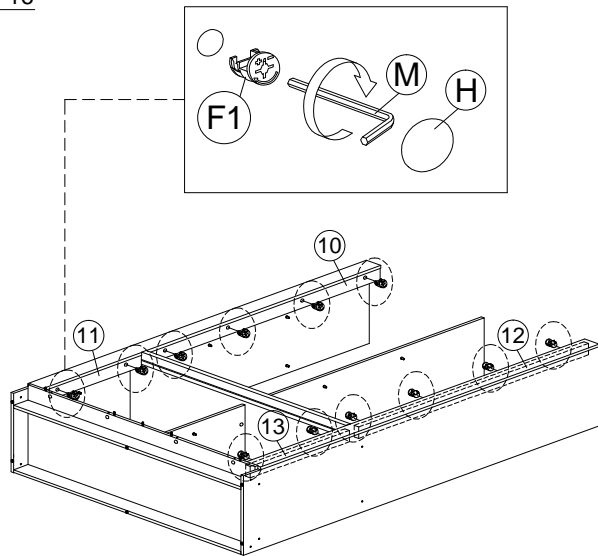
STEP 14



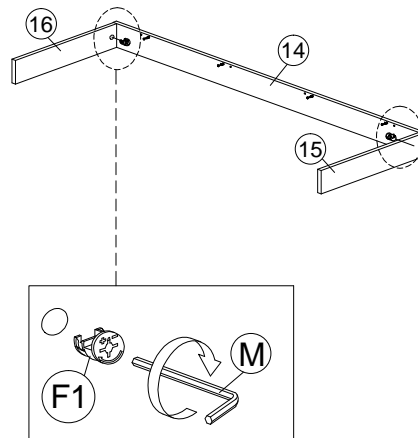
STEP 15



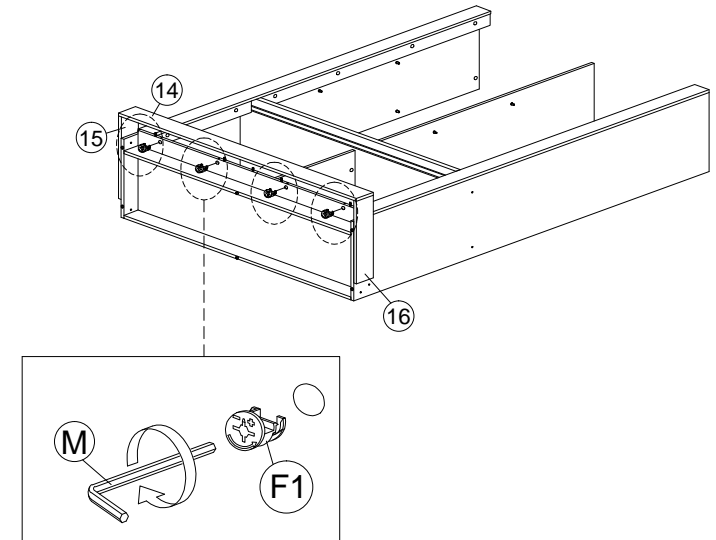
STEP 16



STEP 17

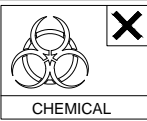


STEP 18

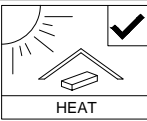




SOFT, DRY CLOTH



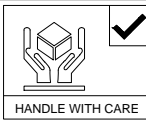
CHEMICAL



HEAT



KEEP DRY



HANDLE WITH CARE

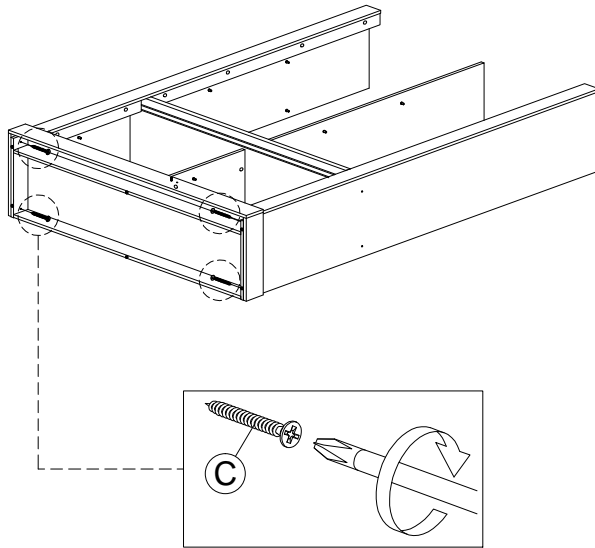


DO NOT USE KNIFE

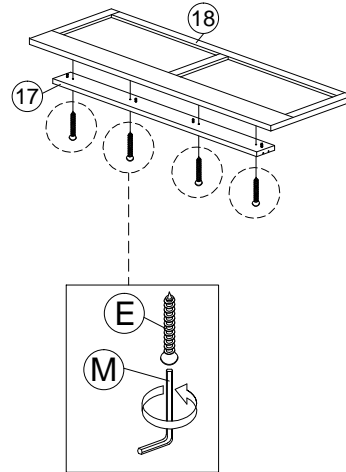
ASSEMBLY INSTRUCTION

MODEL : BC 70075GR-S5V - EDDY GLASKAST / ARGENTIER / GLASS CABINET

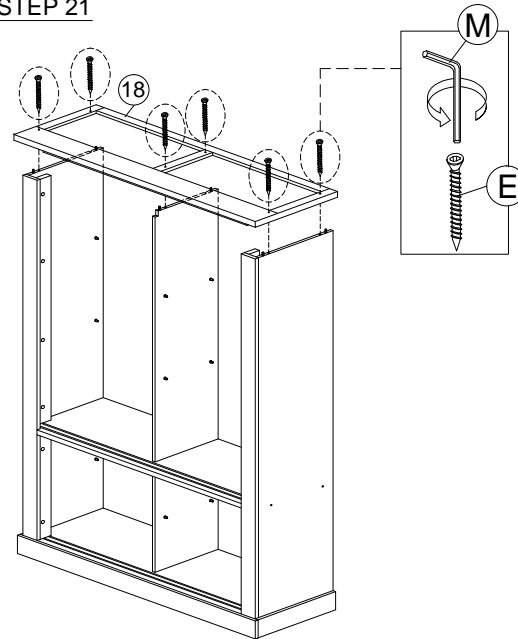
STEP 19



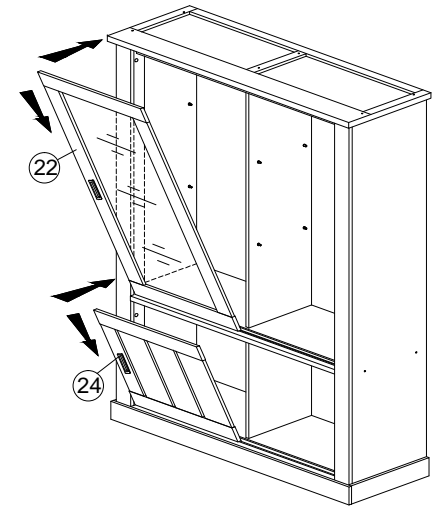
STEP 20



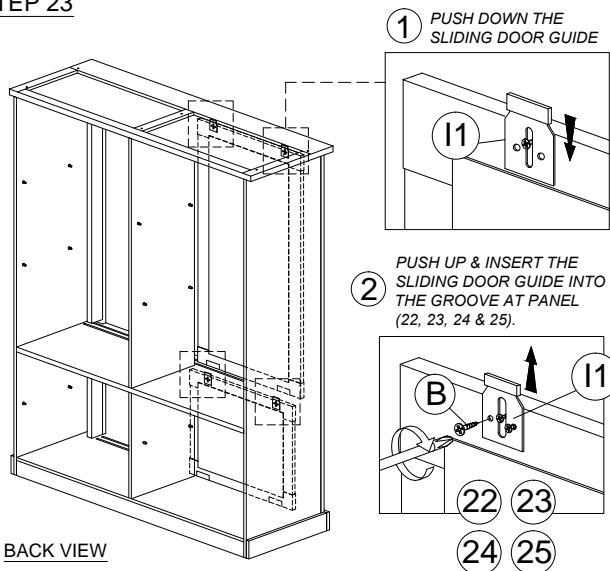
STEP 21



STEP 22

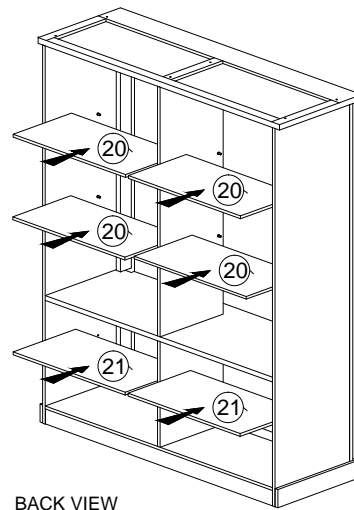


STEP 23



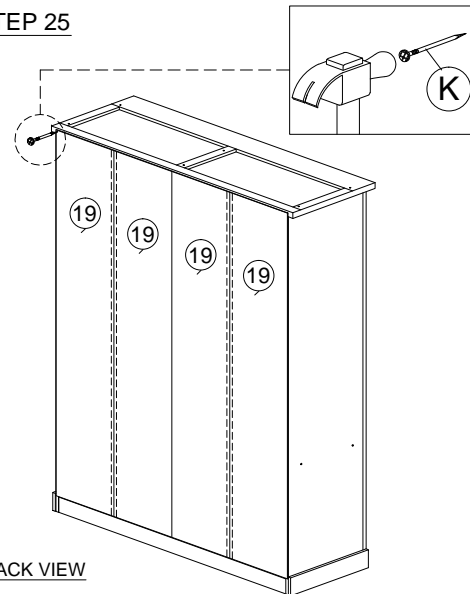
BACK VIEW

STEP 24



BACK VIEW

STEP 25



BACK VIEW

COMPLETED

