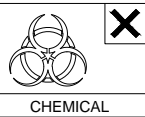
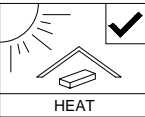




SOFT, DRY CLOTH



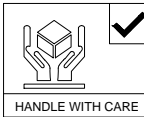
CHEMICAL



HEAT



KEEP DRY



HANDLE WITH CARE



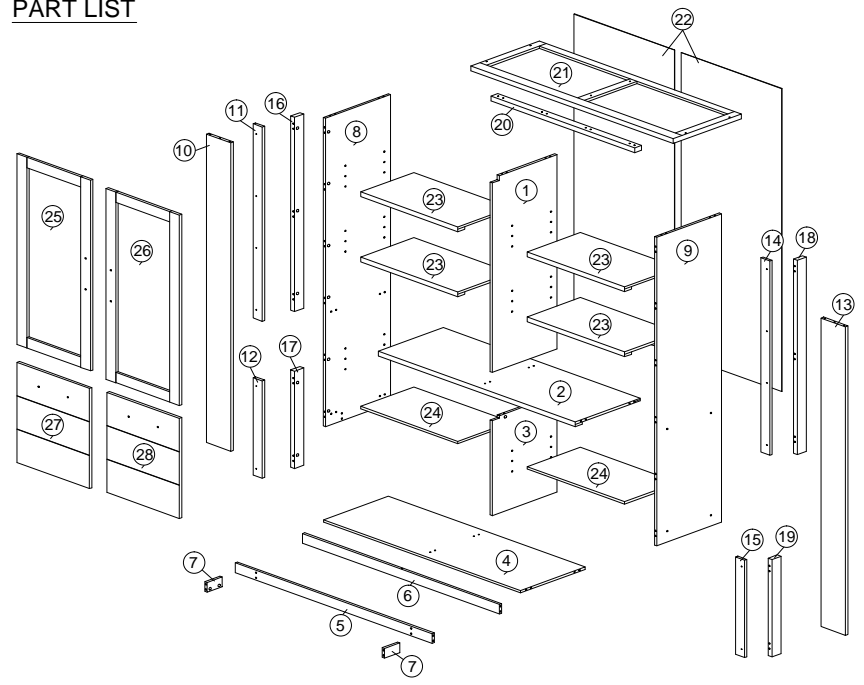
DO NOT USE KNIFE

ASSEMBLY INSTRUCTION

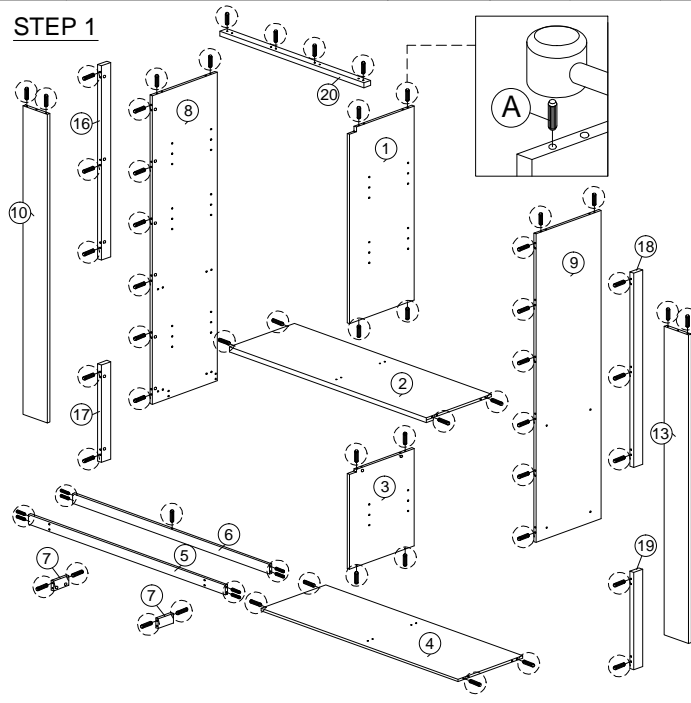
MODEL : BC 70074-S5V - ELITE GLASKAST / ARGENTIER / GLASS CABINET

HARDWARE	A	B	C	D	E	F	G	H	I	J	K	K1	K2	L	M	N	O
	PLASTIC DOWEL M8X25 1X63	CB SCREW M3.5X16 1X56	CB SCREW M4X30 1X12	CSK CAP M6X40 1X12	CSK CAP M6X50 1X10	PVC GLASS CLIP 180° 1X16	METAL SHELF SUPPORT 1X24	MINIFIX 5654 30 SETS	CAP 1X20	HINGES (OUTSIDE) 3/4" 10 SETS	HANDLE VSC16 (SILVER) 1X4	P/H SCREW M4X24 1X8	PLASTIC PIN 1X6	POWER NAIL 6/8 1X92	ALLEN KEY 1X1	GLASS (1090 X 385 X 3MM) 1X2	

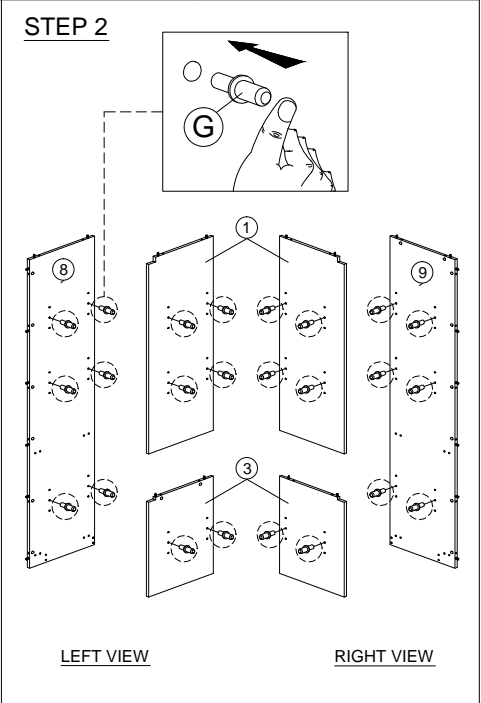
PART LIST



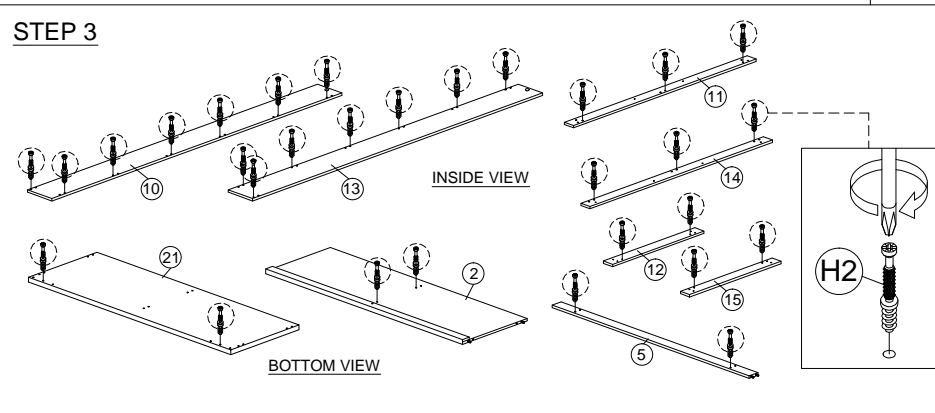
STEP 1



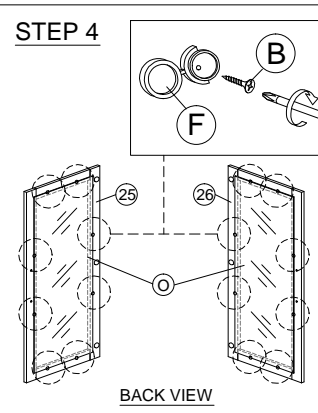
STEP 2



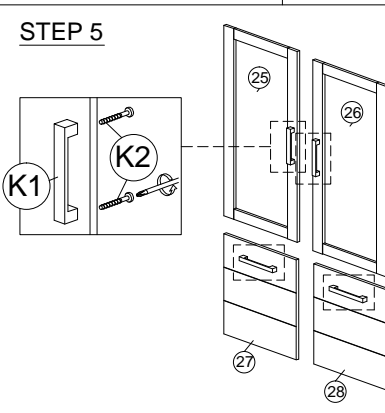
STEP 3



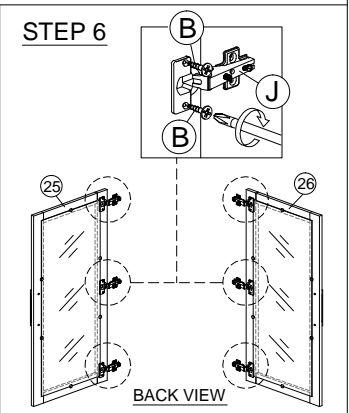
STEP 4



STEP 5

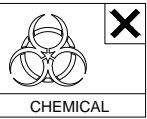


STEP 6

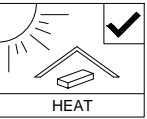




SOFT, DRY CLOTH



CHEMICAL



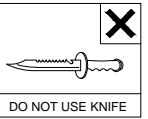
HEAT



KEEP DRY



HANDLE WITH CARE

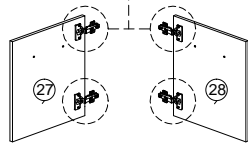
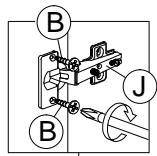


DO NOT USE KNIFE

ASSEMBLY INSTRUCTION

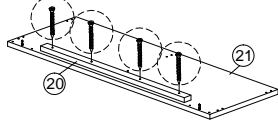
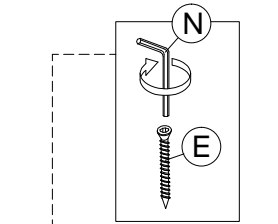
MODEL : BC 70074-S5V - ELITE GLASKAST / ARGENTIER / GLASS CABINET

STEP 7



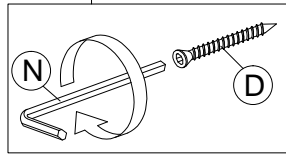
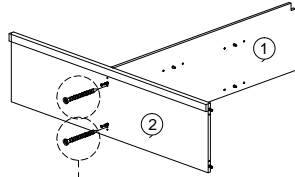
BACK VIEW

STEP 8

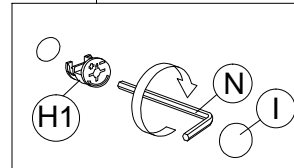
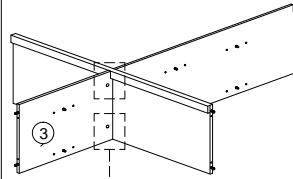


BOTTOM VIEW

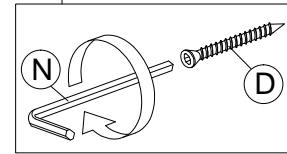
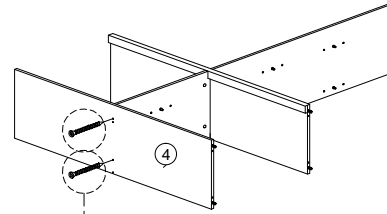
STEP 9



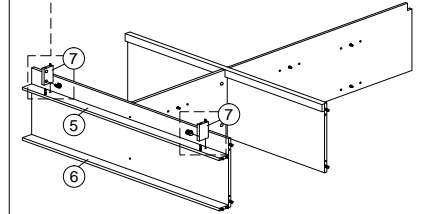
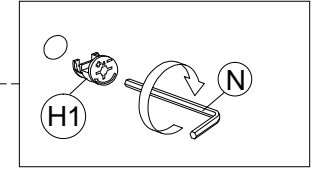
STEP 10



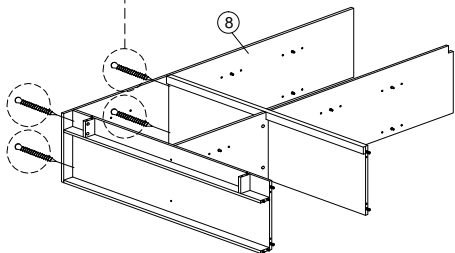
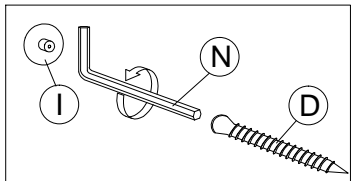
STEP 11



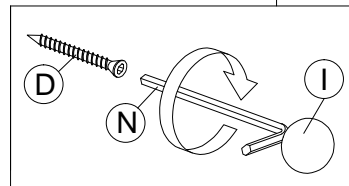
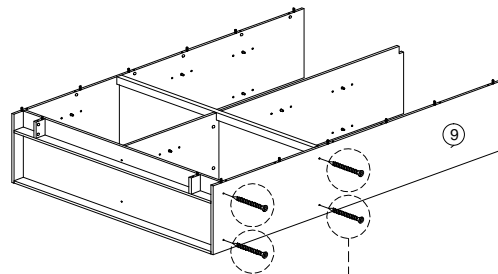
STEP 12



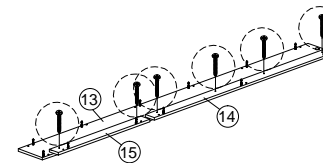
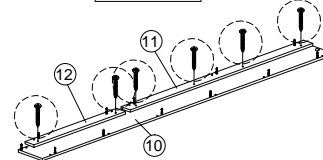
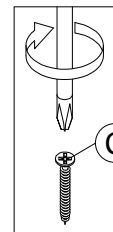
STEP 13



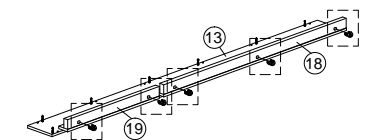
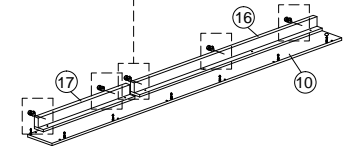
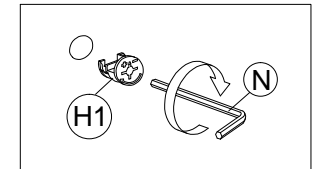
STEP 14



STEP 15



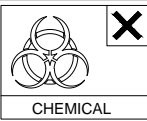
STEP 16



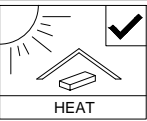
INSIDE VIEW



SOFT, DRY CLOTH



CHEMICAL



HEAT



KEEP DRY



HANDLE WITH CARE

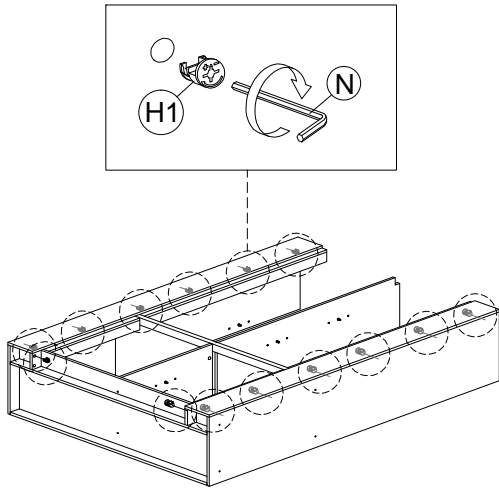


DO NOT USE KNIFE

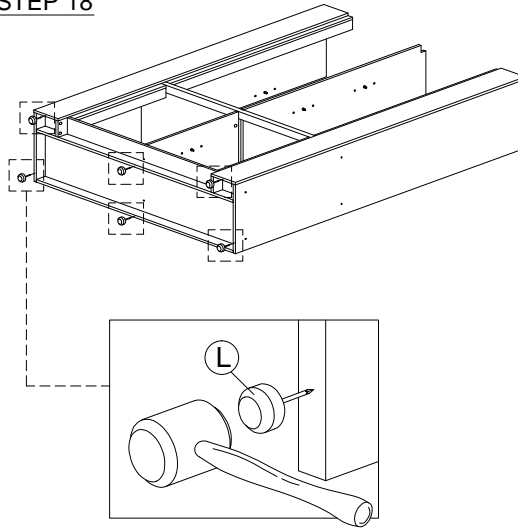
ASSEMBLY INSTRUCTION

MODEL : BC 70074-S5V - ELITE GLASKAST / ARGENTIER / GLASS CABINET

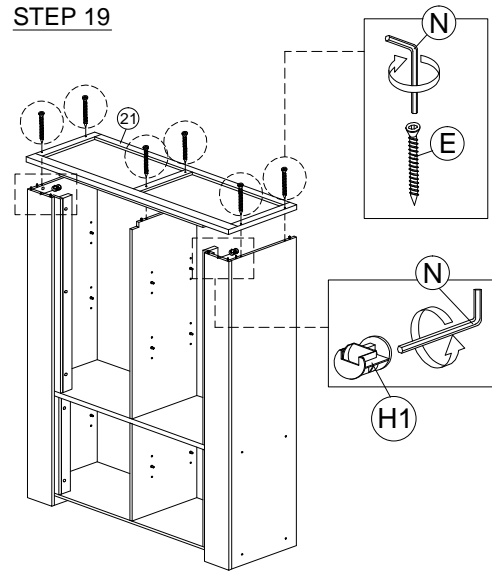
STEP 17



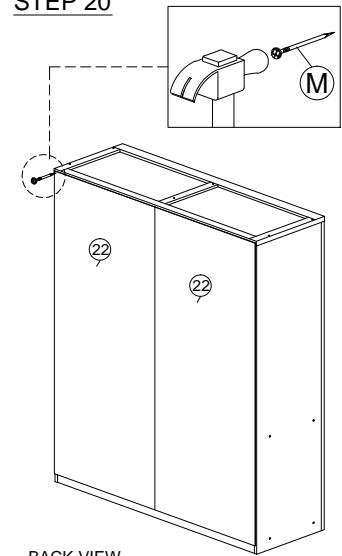
STEP 18



STEP 19

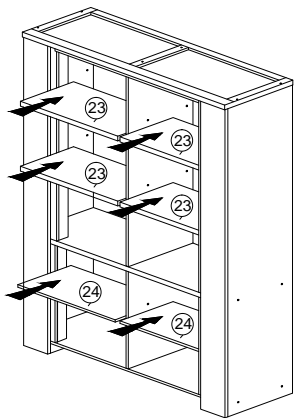


STEP 20

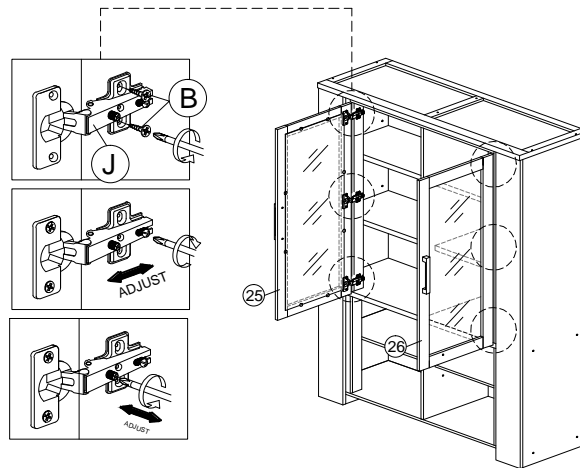


BACK VIEW

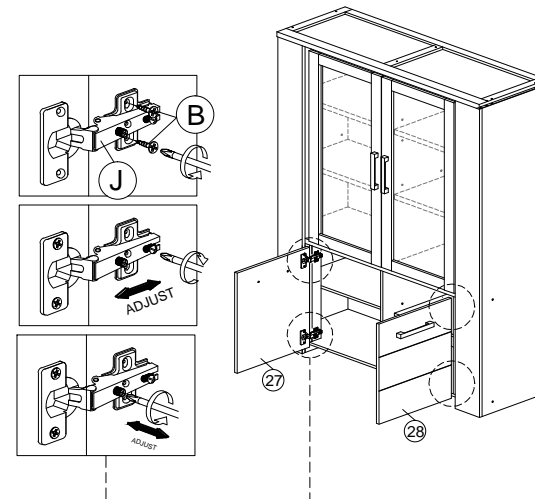
STEP 21



STEP 22



STEP 23



COMPLETED

