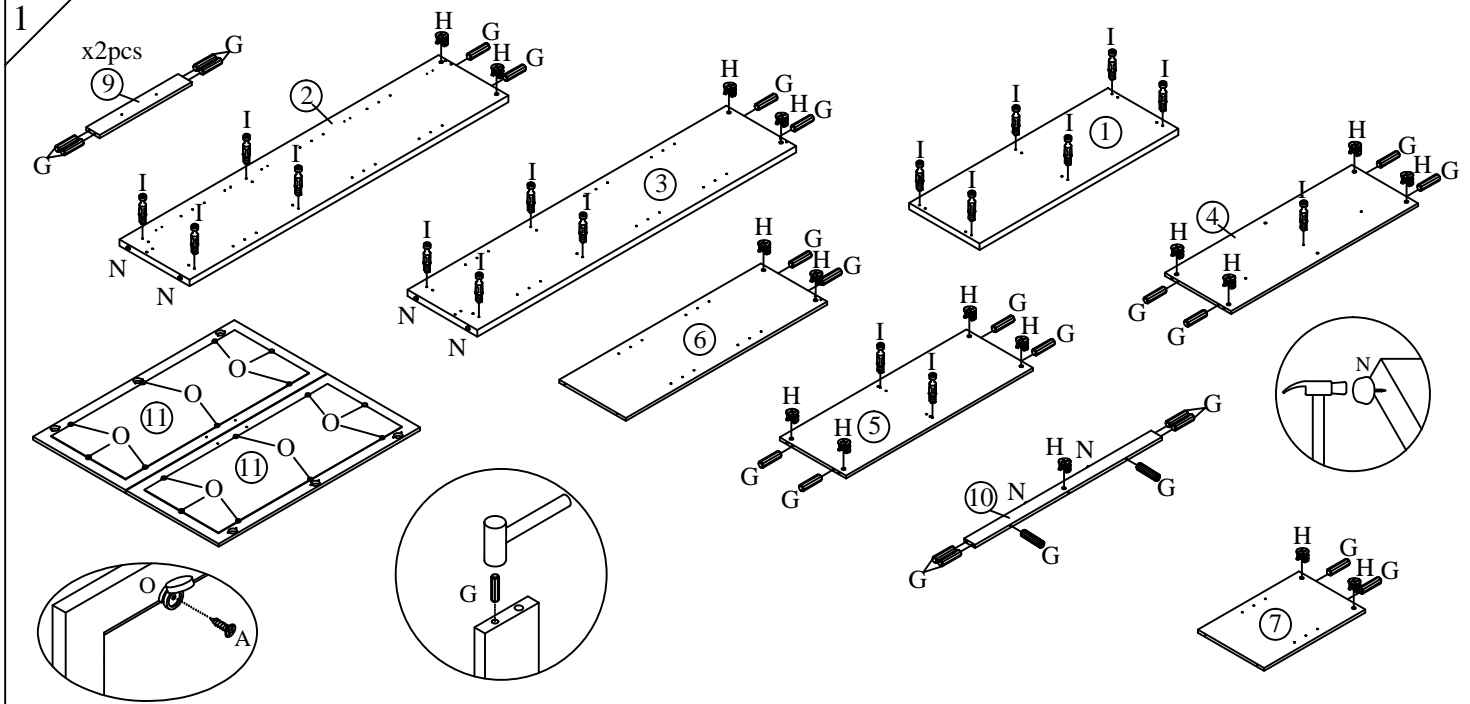
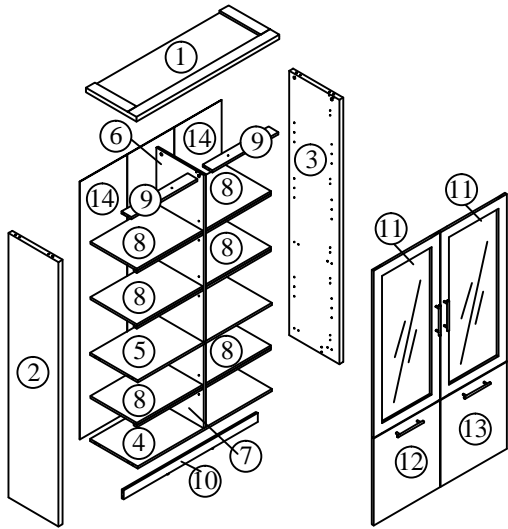
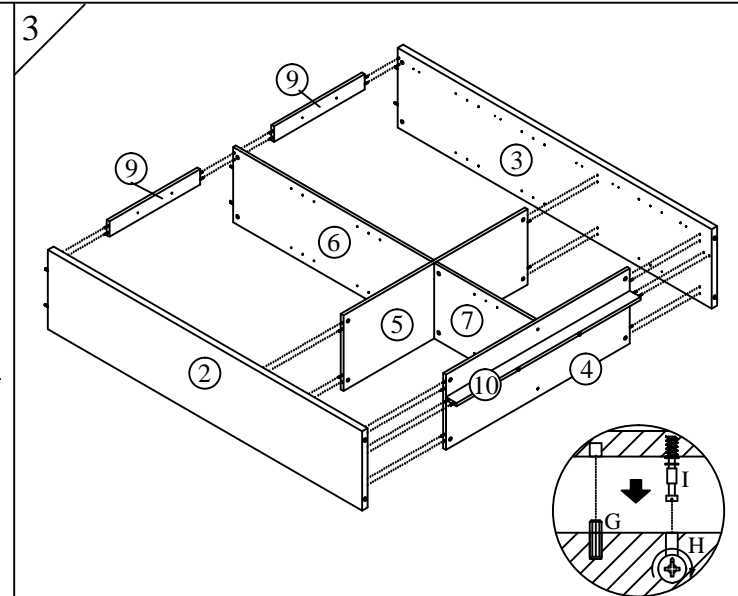
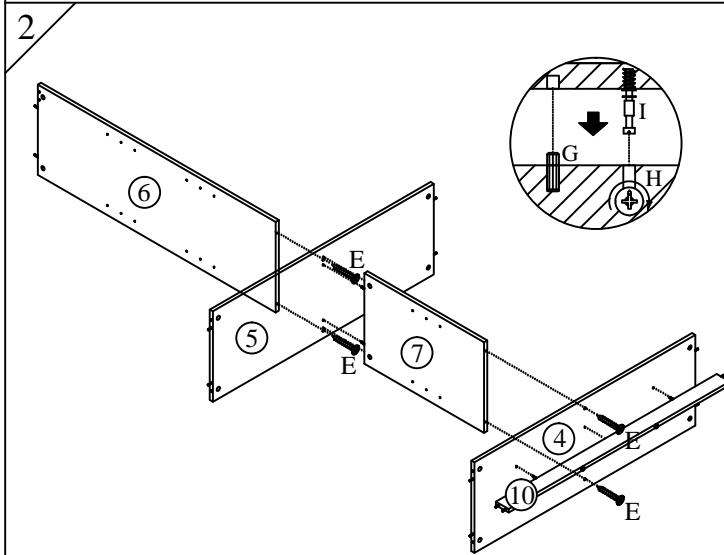


Model	DN STC 201 525	Issue Date	15 - 11 - 2017	Draw By	SITI NURHIDAYU ABDUL JABAR	Approved By / Date	
Form No	P13-RD-05-Rev01	Revision	STC 1.0	Checked By	KALEIKH	Sheet	01 / 02
Description	Assembly Instructions						



A	CSK SCREW M3.5 x 12 mm	16
B	CSK SCREW M3.5 x 16 mm	40
C	CSK SCREW M4 x 25 mm	4
D	CSK SCREW M4 x 30 mm	8
E	CSK SCREW M4 x 45 mm	4
F	HINGES 7/8"	10
G	WOOD DOWEL M6 x 25 mm	30
H	CAM NUT 15 mm	17
I	CAM BOLT	17
J	METAL SHELF SUPPORT	24
K	HANDLE BAR 8" PVC	4
M	NAIL	39
N	PVC NAIL 5/8"	6
O	GLASS CLIP 180°	16
P	GLASS 1015 x 411 x 3 mm	2



Model	DN STC 201 525	Issue Date	15 - 11 - 2017	Draw By	SITI NURHIDAYU ABDUL JABAR	Approved By / Date	
Form No	P13-RD-05-Rev01	Revision	STC 1.0	Checked By	KALEIKH	Sheet	02 / 02
Description	Assembly Instructions						

