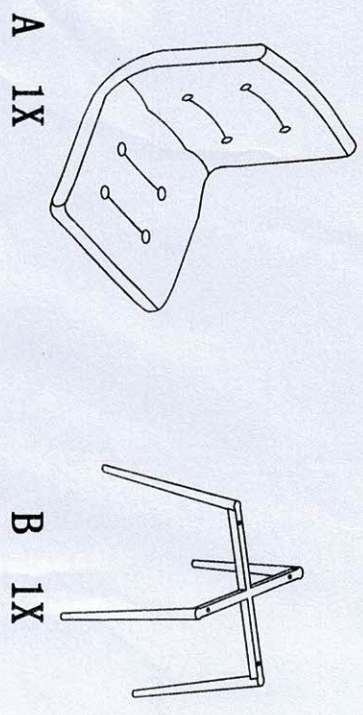





ASSEMBLY INSTRUCTION

STOEL/CHAISE S160

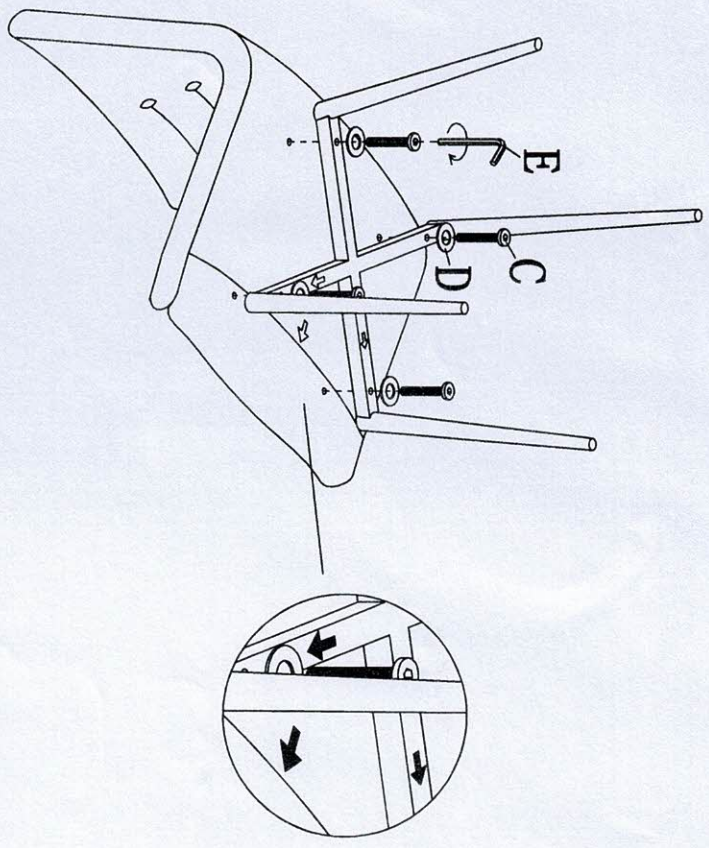
PART LIST:



HARDWARE LIST:

C		M6*45mm	4X
D		M12mm	4X
E		4mm	1X

STEP 1



COMPLETED

