

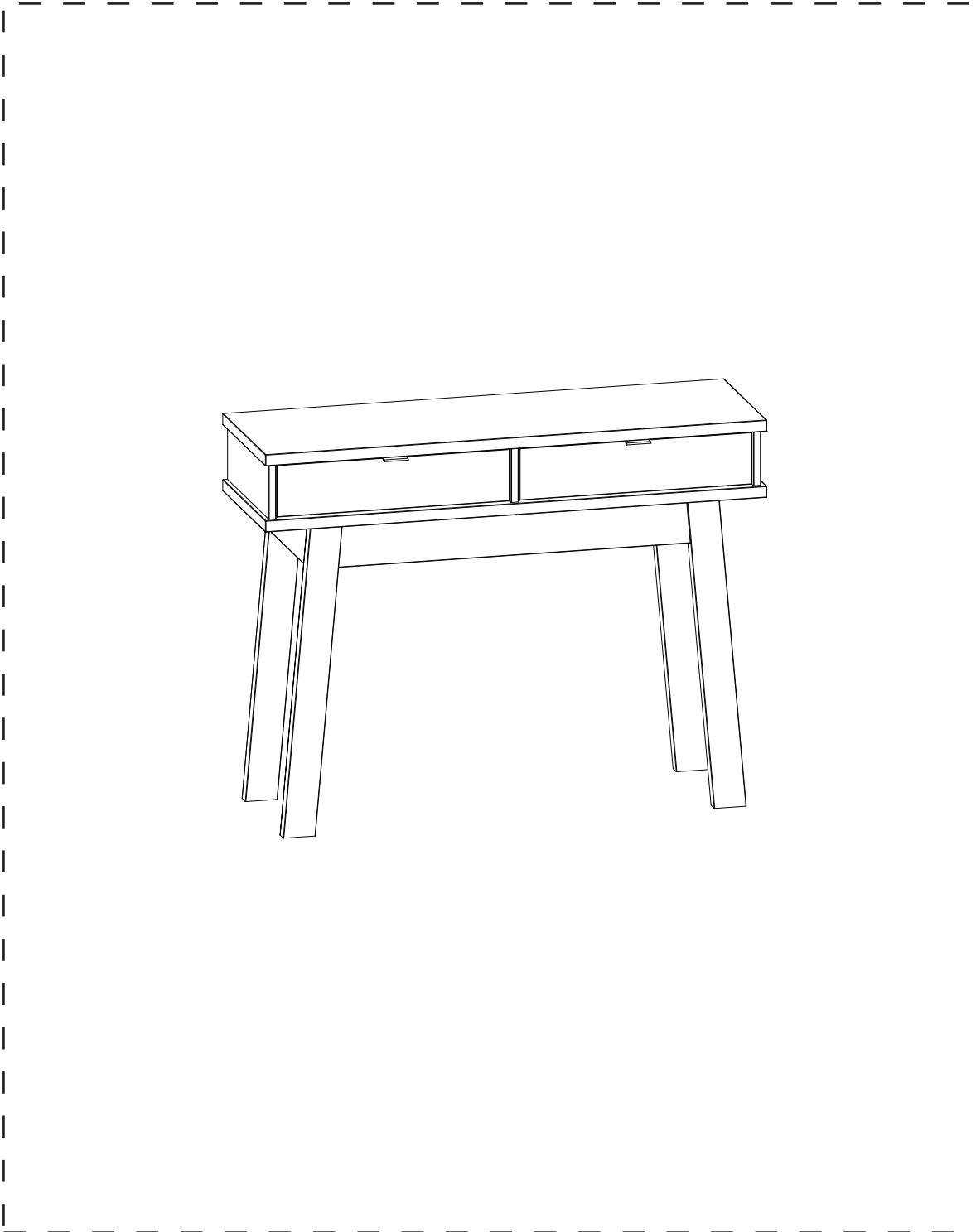


**EPK40/001**

|           |                                      |
|-----------|--------------------------------------|
| Item Name |                                      |
| Colors 1  | Dekor Elegance Endgrain / Graustufen |
| Colors 2  |                                      |
| Colors 3  |                                      |
| Colors 4  |                                      |
| Colors 5  |                                      |

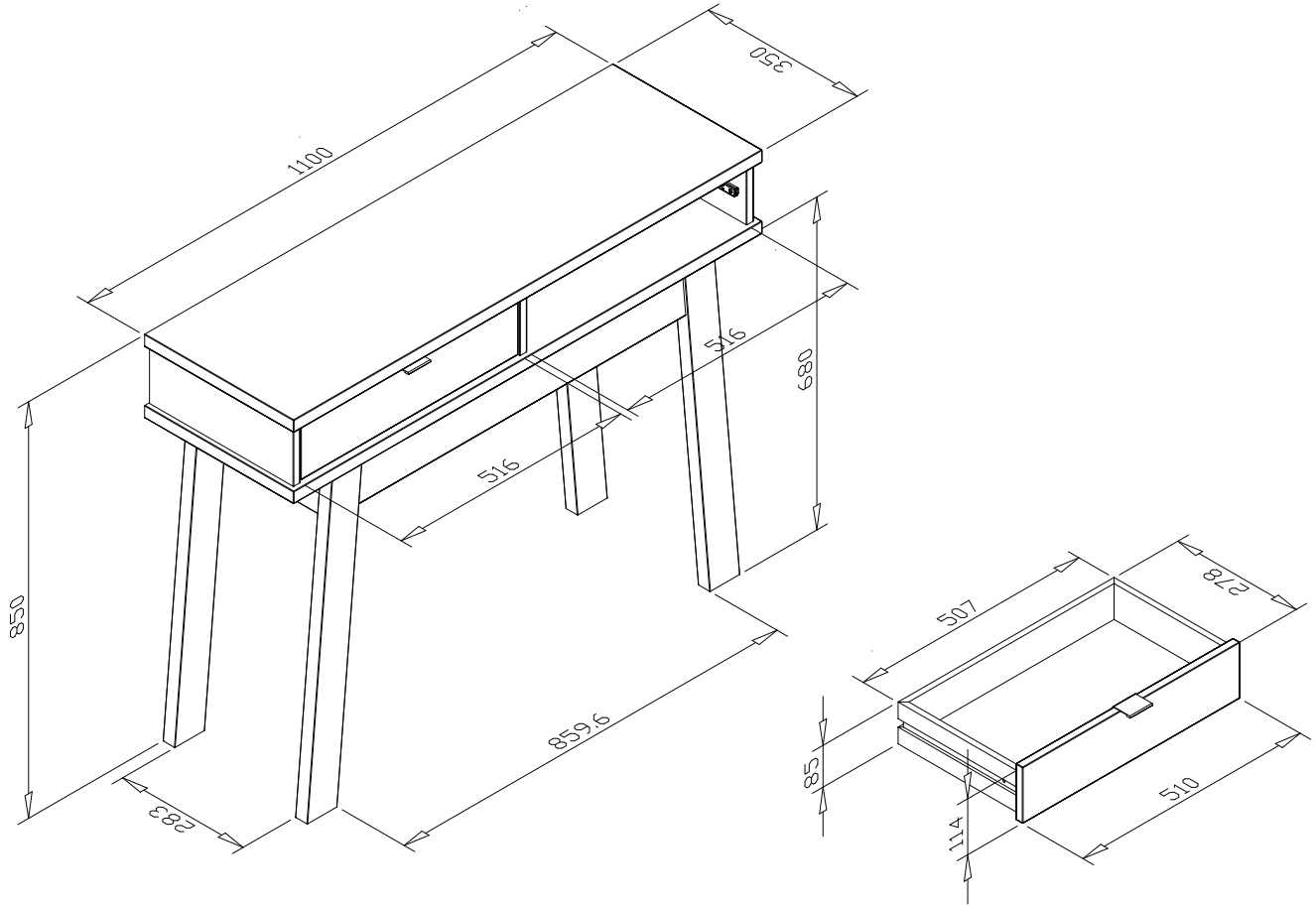


|                                |           |           |
|--------------------------------|-----------|-----------|
|                                |           | Finishing |
| Panels material 1              | Chipboard | Melamine  |
| Panels material 2              |           |           |
| Panels material 3              |           |           |
| Doors                          | Chipboard | Melamine  |
| Handles material               | aluminium |           |
| Legs material                  | MDF       |           |
| Mirror                         |           |           |
| Glass                          |           |           |
| Edges                          | no        |           |
| Soft edges                     |           |           |
| Wall fixing fittings           |           | yes       |
| Extension                      |           |           |
| Extension size (cm)            |           |           |
| Extension stored under the top |           |           |
| Synchronized opening           |           |           |
| Top panel thickness (mm)       | 25        |           |
| Backrest (material)            |           |           |
| Seat (material)                |           |           |
| Frame (material)               |           |           |



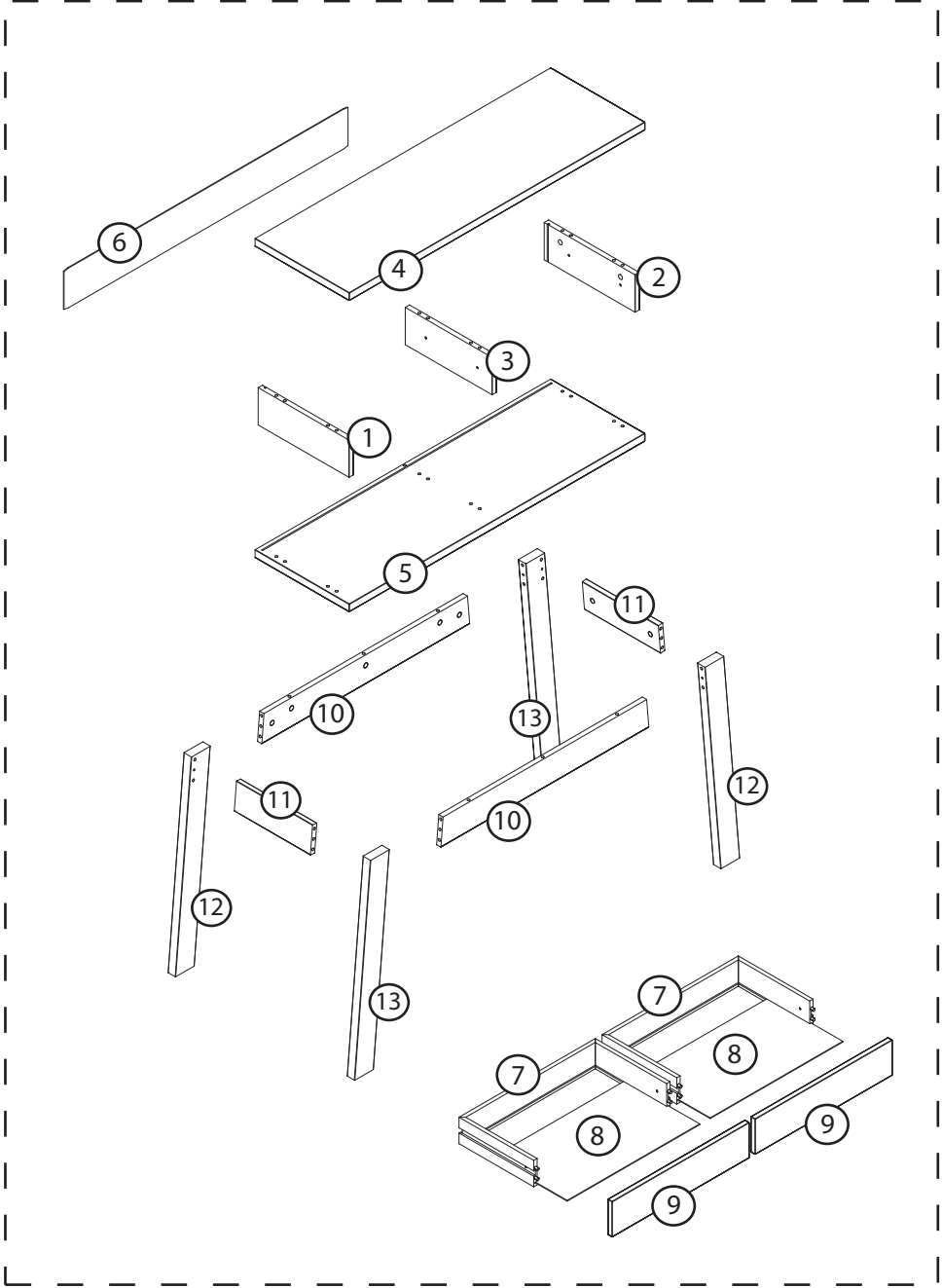


EPK40/001





# EPK40/001



|   |     | Dimensions / Abmessung in mm/<br>Measurements |  | T   | V | H | QK<br>L | QK<br>R | LK<br>L | LK<br>R |
|---|-----|-----------------------------------------------|--|-----|---|---|---------|---------|---------|---------|
| ① | 1 x | 120 x 338 x 16                                |  | S   | F | F | -       | -       | D       | M       |
| ② | 1 x | 120 x 338 x 16                                |  | S   | F | F | -       | -       | D       | M       |
| ③ | 1 x | 120 x 323 x 16                                |  | S   | F | F | -       | -       | D       | -       |
| ④ | 1 x | 1100 x 350 x 25                               |  | S   | F | F | D       | D       | D       | M       |
| ⑤ | 1 x | 1100 x 350 x 25                               |  | S   | F | F | D       | D       | D       | M       |
| ⑥ | 1 x | 1056 x 128 x 2,5                              |  | HDF | L | - | -       | -       | -       | -       |
| ⑦ | 2 x | 278 x 507 x 278                               |  | S   | F | F | -       | -       | U       | U       |
| ⑧ | 2 x | 493 x 278 x 2,5                               |  | HDF | L | - | -       | -       | -       | -       |
| ⑨ | 2 x | 510 x 114 x 16                                |  | S   | F | F | D       | D       | D       | D       |
| ⑩ | 2 x | 773,3 x 93 x 16                               |  | S   | F | F | -       | -       | U       | U       |
| ⑪ | 2 x | 283 x 93 x 16                                 |  | S   | F | F | -       | -       | U       | U       |
| ⑫ | 2 x | 687 x 70 x 28                                 |  | S   | F | F | -       | -       | U       | U       |
| ⑬ | 2 x | 687 x 70 x 28                                 |  | S   | F | F | -       | -       | U       | U       |
| ⑭ |     |                                               |  |     |   |   |         |         |         |         |
| ⑮ |     |                                               |  |     |   |   |         |         |         |         |
| ⑯ |     |                                               |  |     |   |   |         |         |         |         |
| ⑰ |     |                                               |  |     |   |   |         |         |         |         |
| ⑱ |     |                                               |  |     |   |   |         |         |         |         |
| ⑲ |     |                                               |  |     |   |   |         |         |         |         |
| ⑳ |     |                                               |  |     |   |   |         |         |         |         |
| ㉑ |     |                                               |  |     |   |   |         |         |         |         |
| ㉒ |     |                                               |  |     |   |   |         |         |         |         |
| ㉓ |     |                                               |  |     |   |   |         |         |         |         |
| ㉔ |     |                                               |  |     |   |   |         |         |         |         |