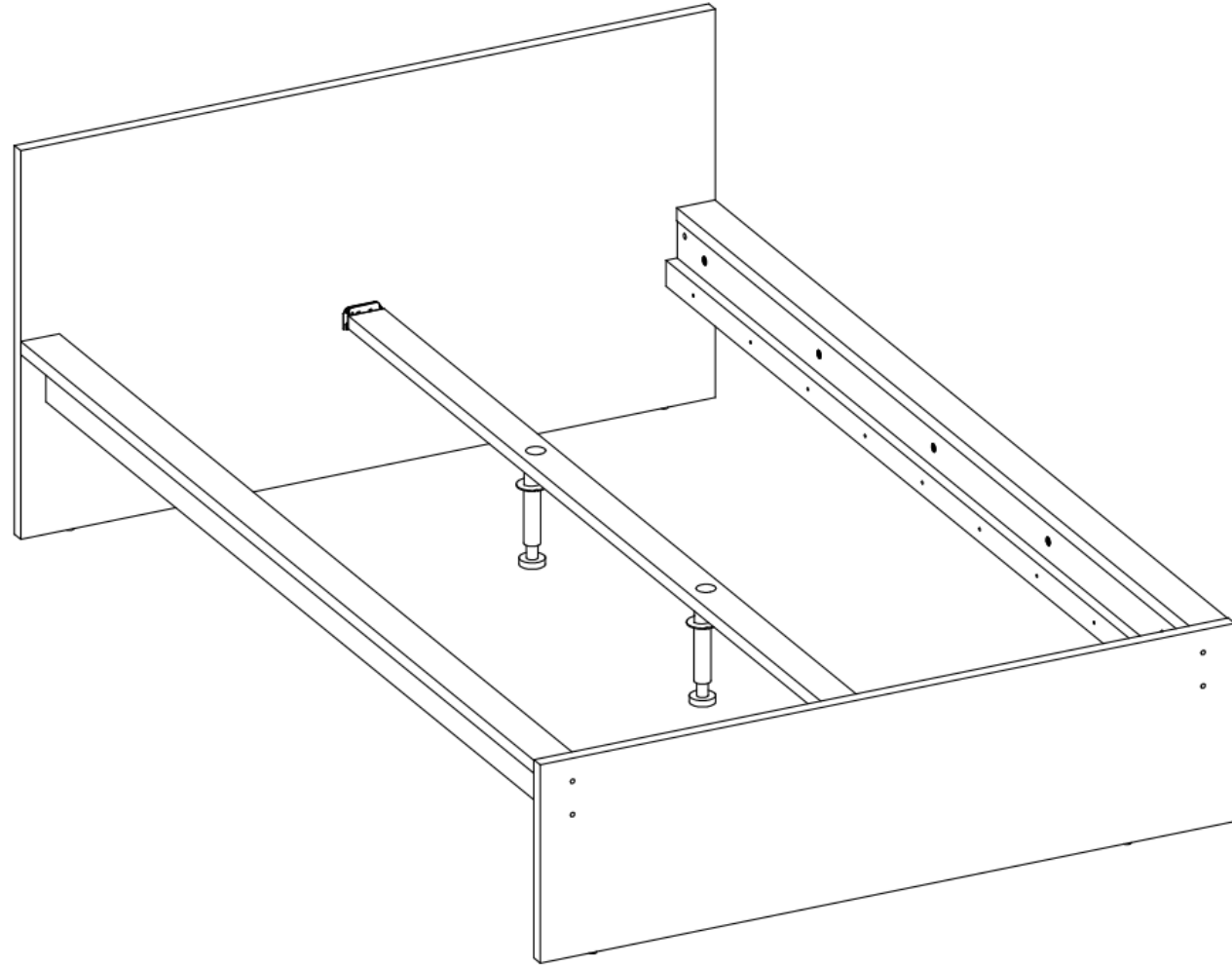




IGE65E/033

Item Name	Image 65E
Colors 1	weiss
Colors 2	
Colors 3	
Colors 4	
Colors 5	

		Finishing
Panels material 1	chipboard	melamine
Panels material 2		
Panels material 3		
Doors		
Handles material		
Legs material	Plastic	
Mirror		
Glass		
Edges	ABS, Papier	
Soft edges		
Wall fixing fittings		
Extension		
Extension size (cm)		
Extension stored under the top		
Synchronized opening		
Top panel thickness (mm)	25 und 22	
Backrest (material)		
Seat (material)		
Frame (material)		





IGE65E/033

