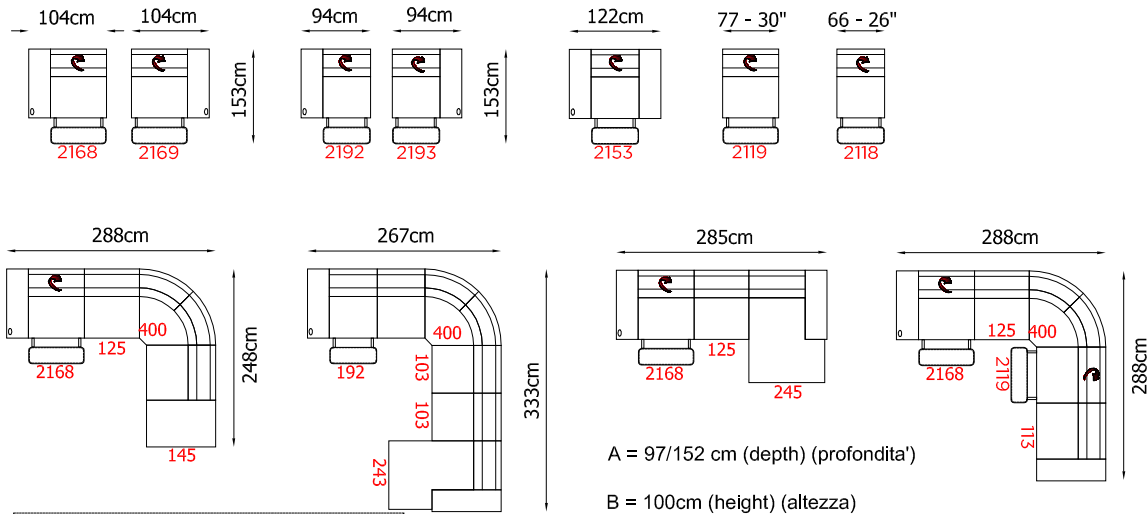


ELECTRIC HEADREST
POGGIATESTA ELETTRICO



- A = 97/152 cm (depth) (profondita')
- B = 100cm (height) (altezza)
- C = 53cm (seat depth) (profondita'seduta)
- D = 61cm (arm height) (altezza bracciolo)
- E = 48cm (seat height) (altezza seduta)
- F = 4 cm / 2" (leg height) (altezza piede)

L'azienda si riserva di apportare alcune modifiche alle dimensioni. Le dimensioni sono soggette a leggere variazioni dovute alla manifattura.

Some dimensions reported in this legend may be changed by the manufacturer. Such dimensions are subject to small discrepancy due to the handmade product.

L'entreprise se réserve le droit d'apporter d'éventuelles modifications aux dimensions. De légères variations de dimensions sont possibles en raison du processus de fabrication.



IT: MODELLO CON SEDUTA INTEGRATA DA MOLLE INSACCHE
EN: INTEGRATED POCKET SPRING SEAT FOAM
FR: SYSTEME DE RESSORTS ENSACHES INTEGRES DANS L'ASSIS

COVERING	Leather <input checked="" type="checkbox"/>	Soft Cover <input checked="" type="checkbox"/>	Mix <input type="checkbox"/>
LEGS	Plastic <input checked="" type="checkbox"/>	Metal <input type="checkbox"/>	Wood <input type="checkbox"/>
FILLING	Arms <input checked="" type="checkbox"/> Foam <input type="checkbox"/> Fiber <input type="checkbox"/> Feather	Seat Cushion <input checked="" type="checkbox"/> Foam <input type="checkbox"/> Fiber <input type="checkbox"/> Feather	Upholstered <input type="checkbox"/> Spring pocket seats <input type="checkbox"/> Back Cushion <input checked="" type="checkbox"/> Foam <input type="checkbox"/> Fiber <input type="checkbox"/> Feather
COMFORT	Standard <input checked="" type="checkbox"/>	Hard <input type="checkbox"/>	
FUNCTION	Audio System <input type="checkbox"/>	Reclining System <input checked="" type="checkbox"/>	Sliding System <input type="checkbox"/>
OPTION	Bed <input type="checkbox"/>	Contrast Stitching <input checked="" type="checkbox"/>	Adjustable arm <input type="checkbox"/>
			Adjustable Headrest <input type="checkbox"/>
			Two - Tone <input type="checkbox"/>
			Removable (only soft coverings) <input type="checkbox"/>